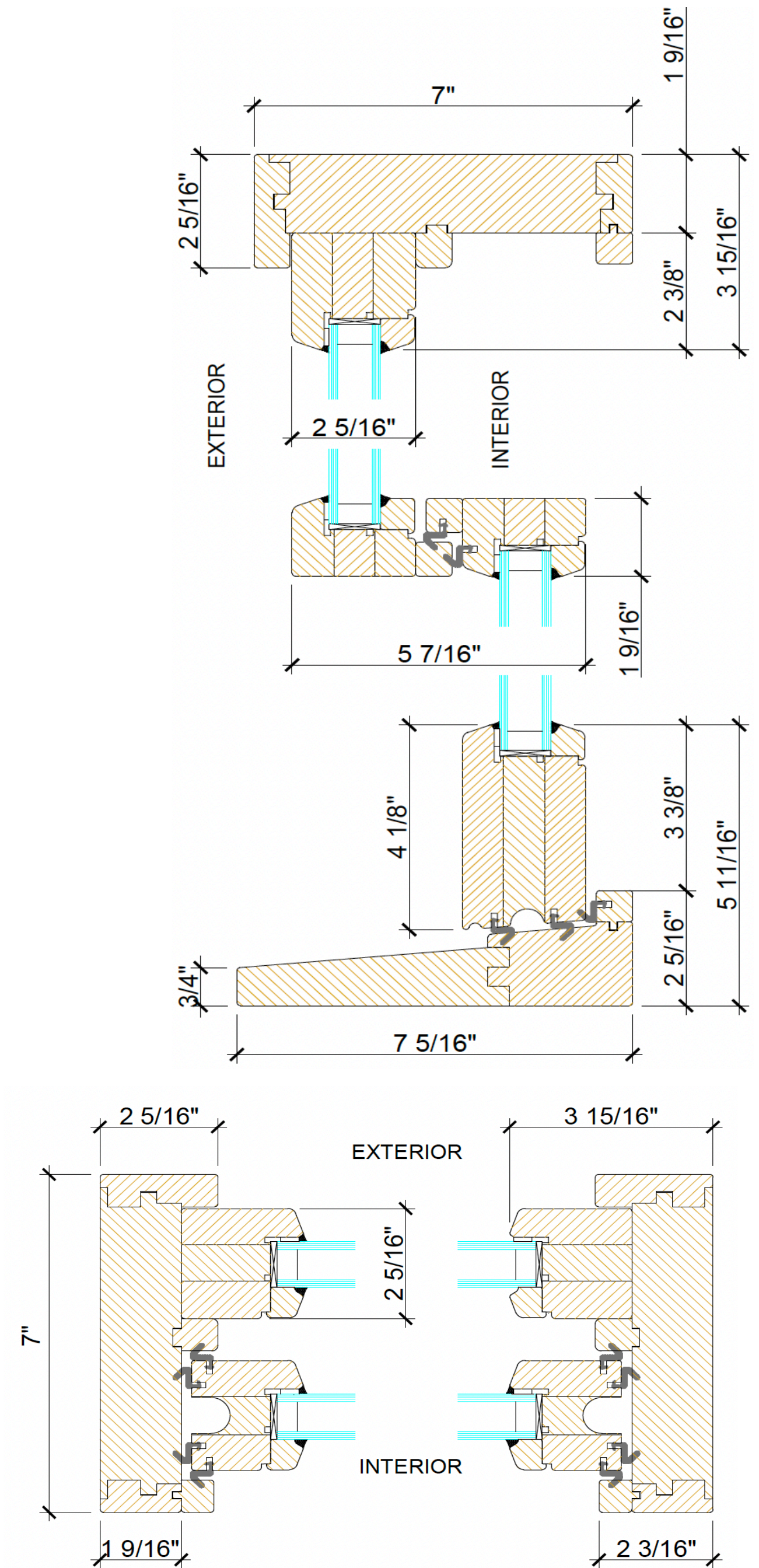
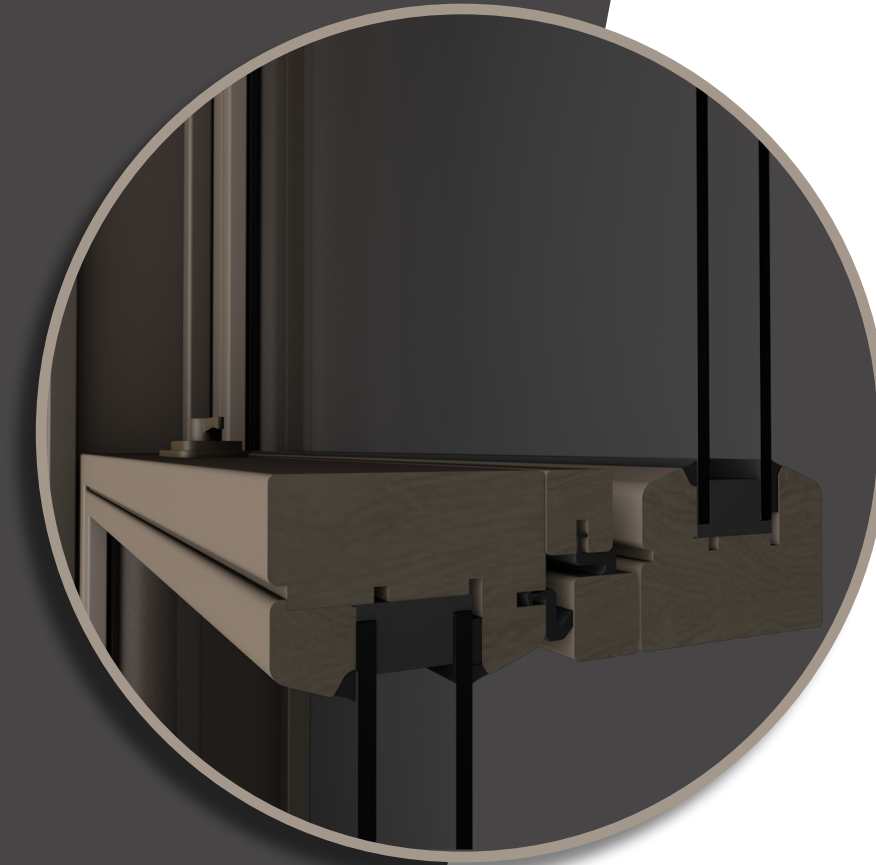
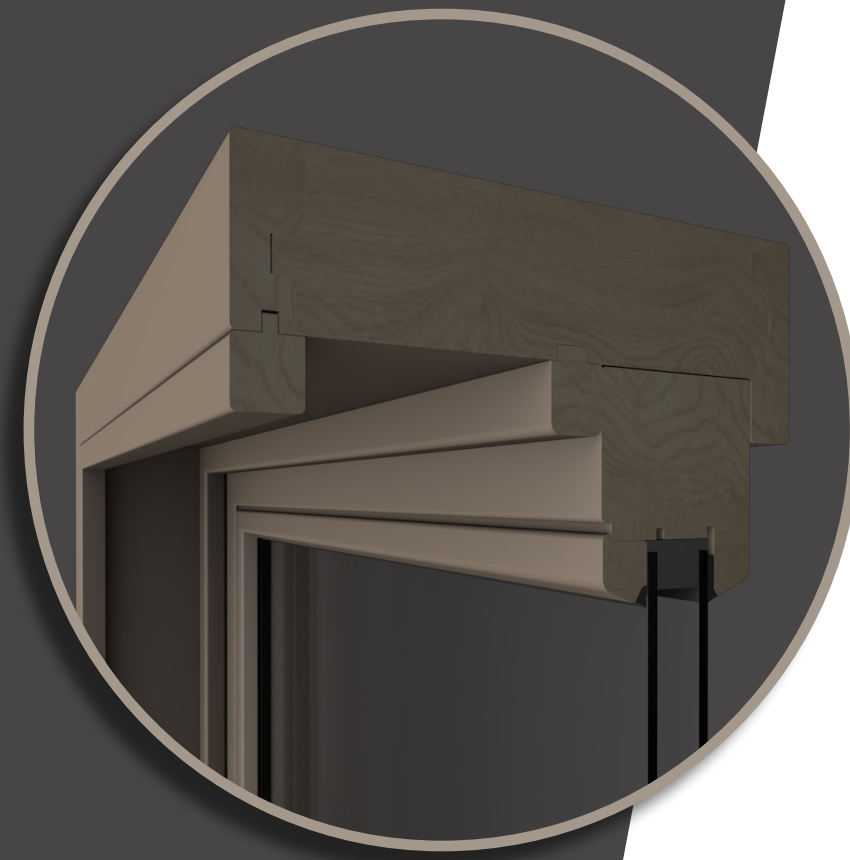
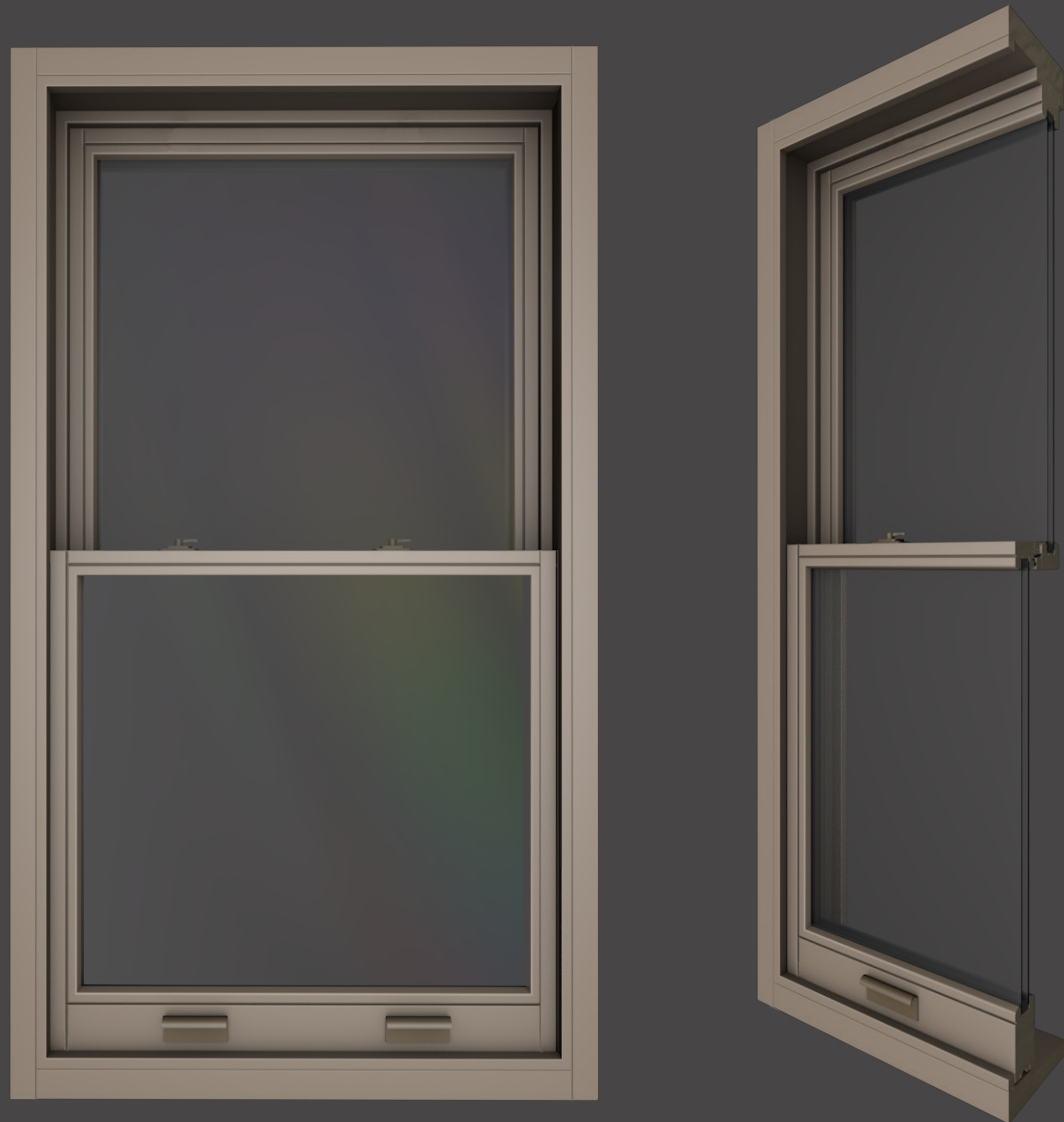




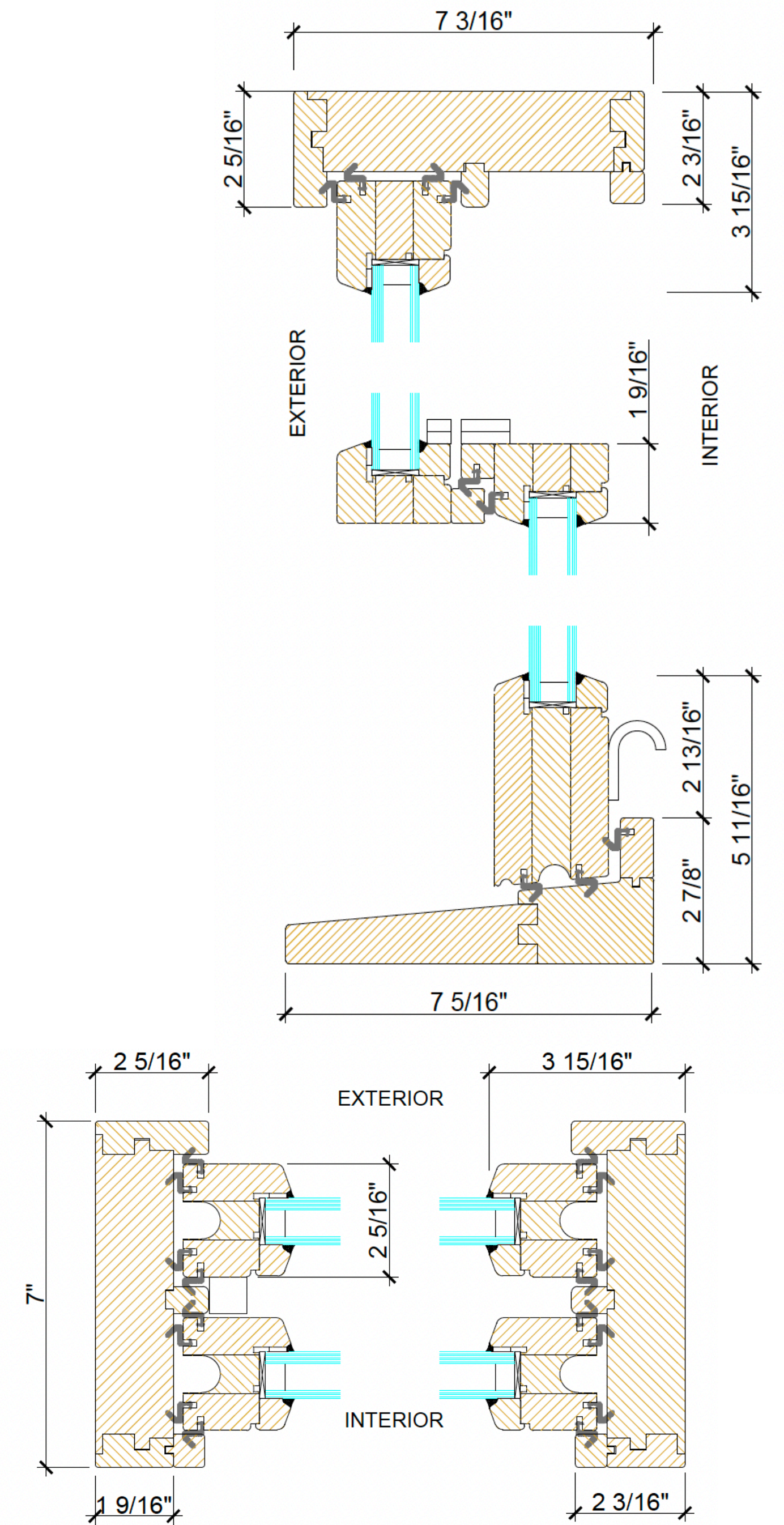
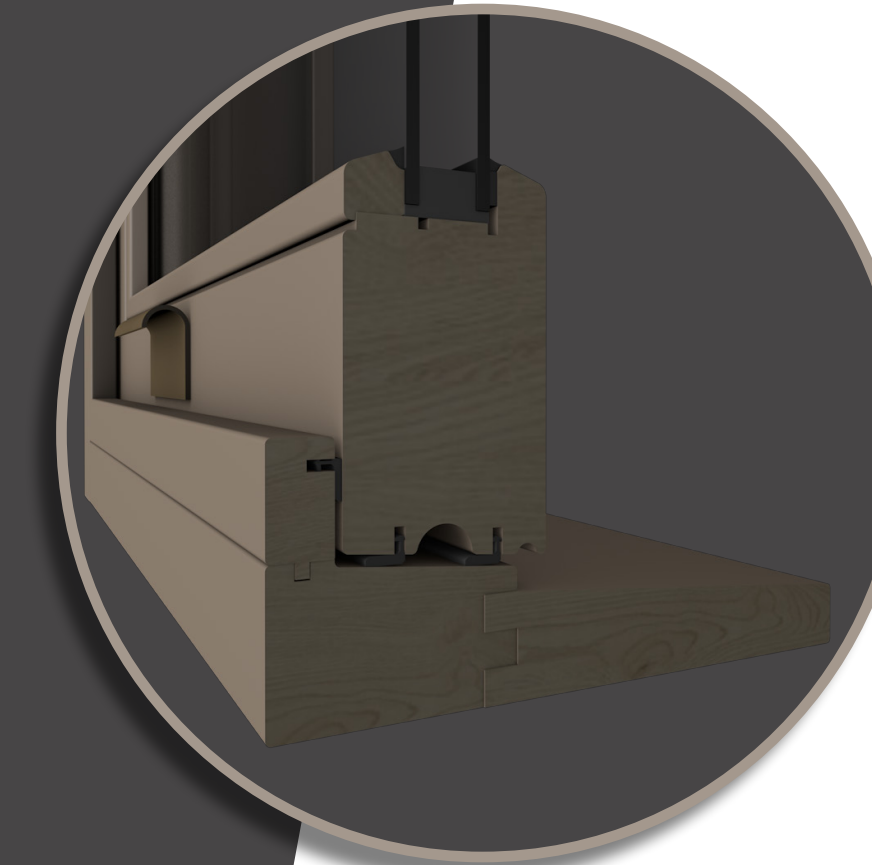
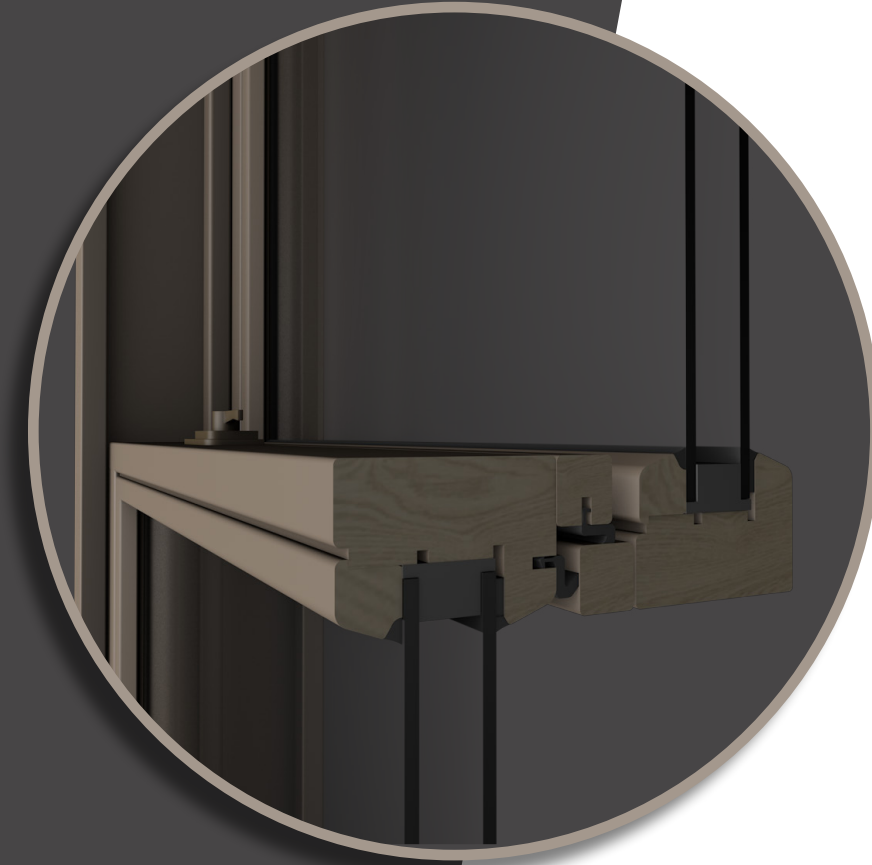
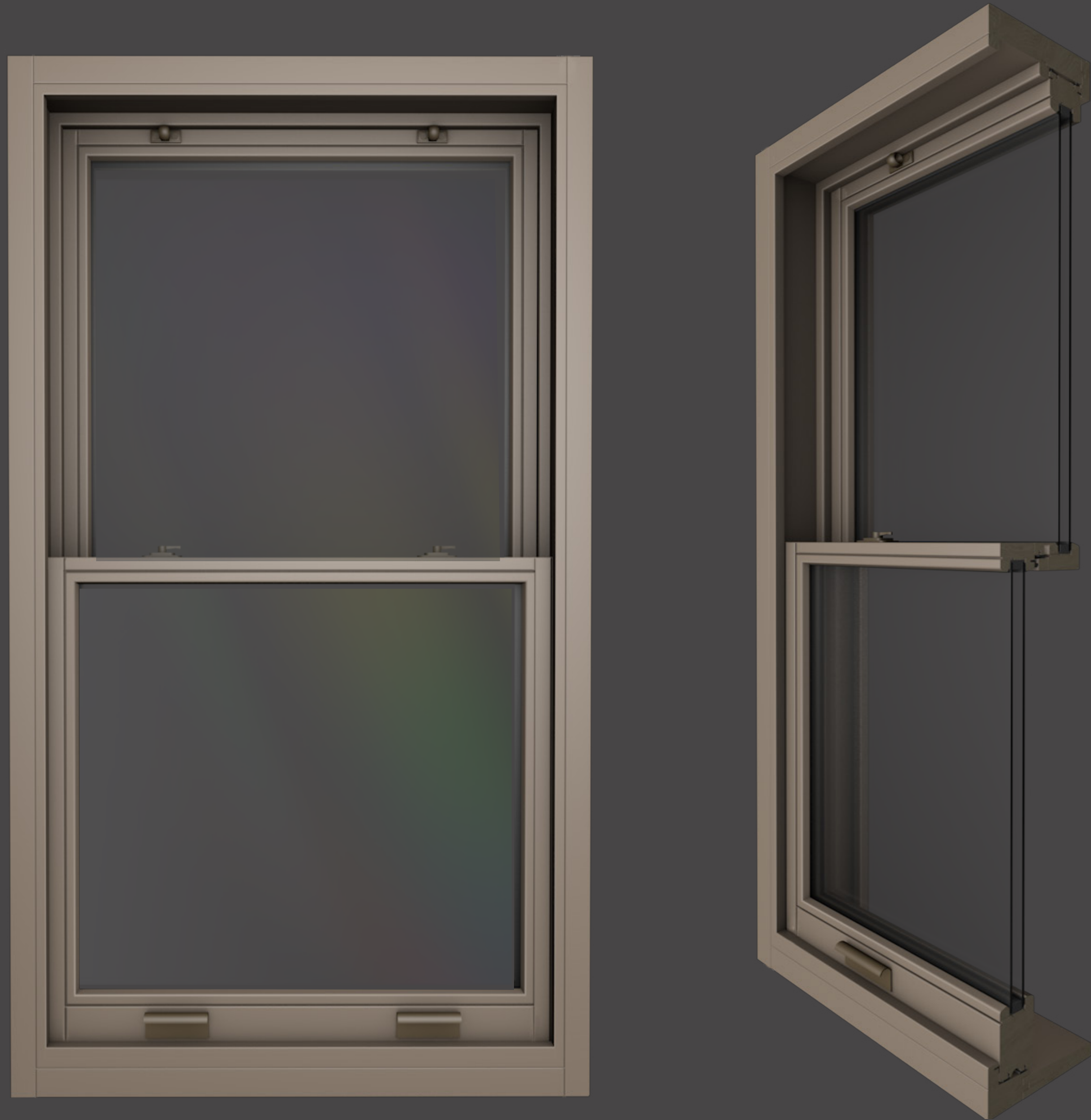
Single & Double Hung Windows, Simulated Double Hung Windows

Wood profile
Wood with aluminum clad profile

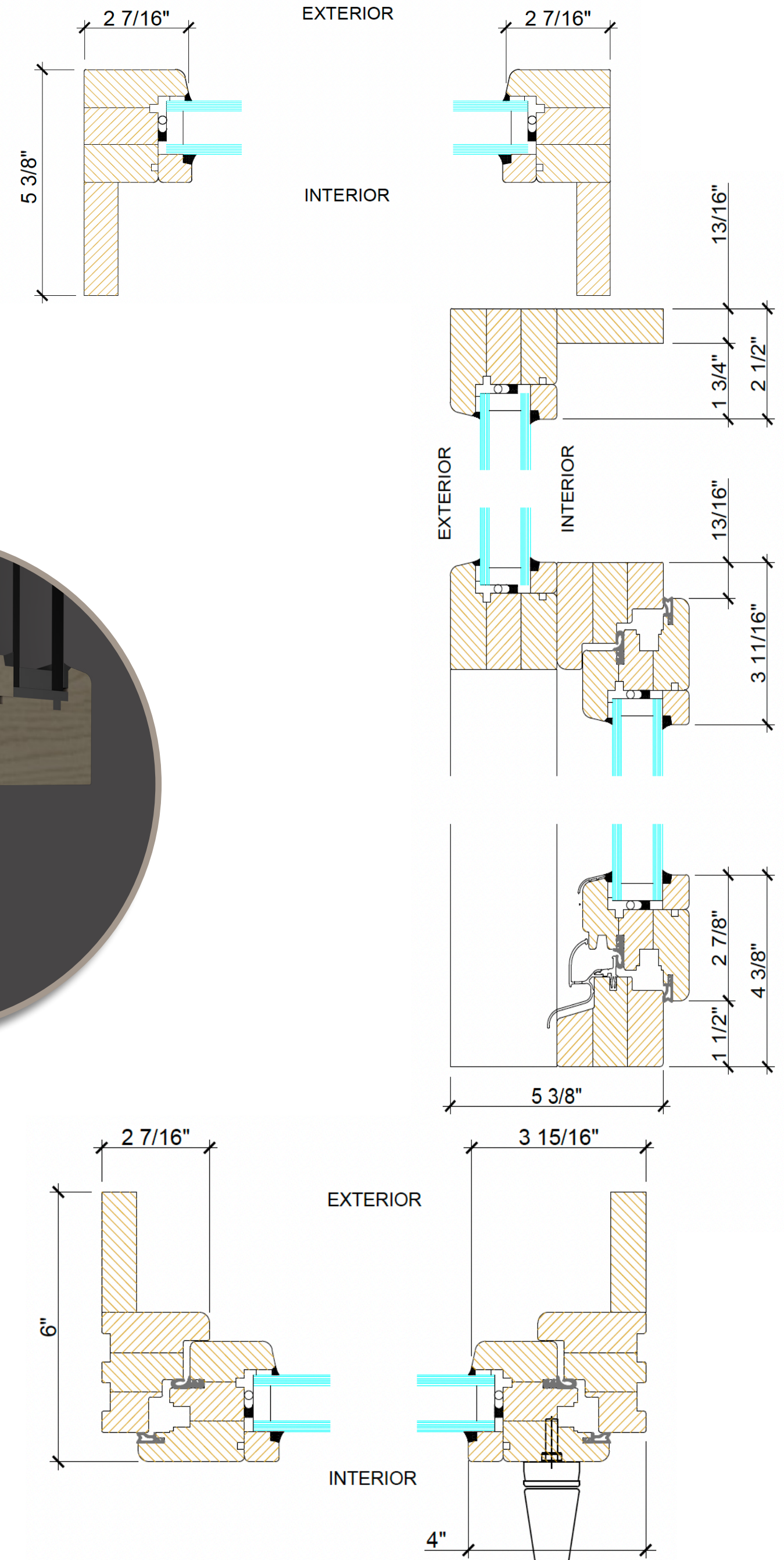
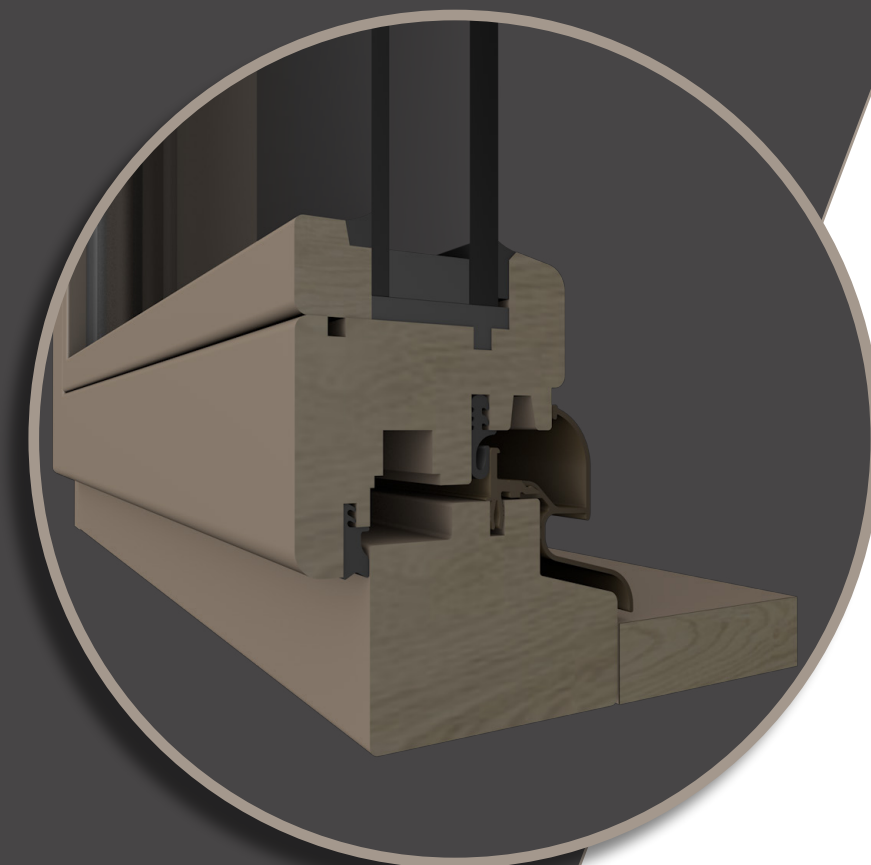
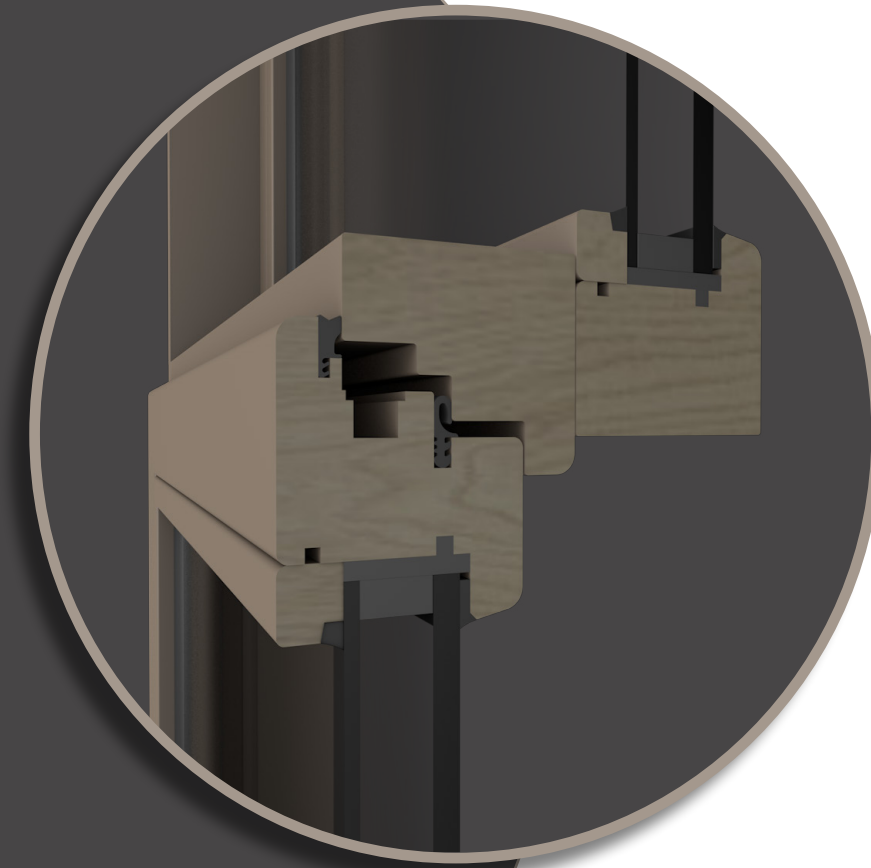
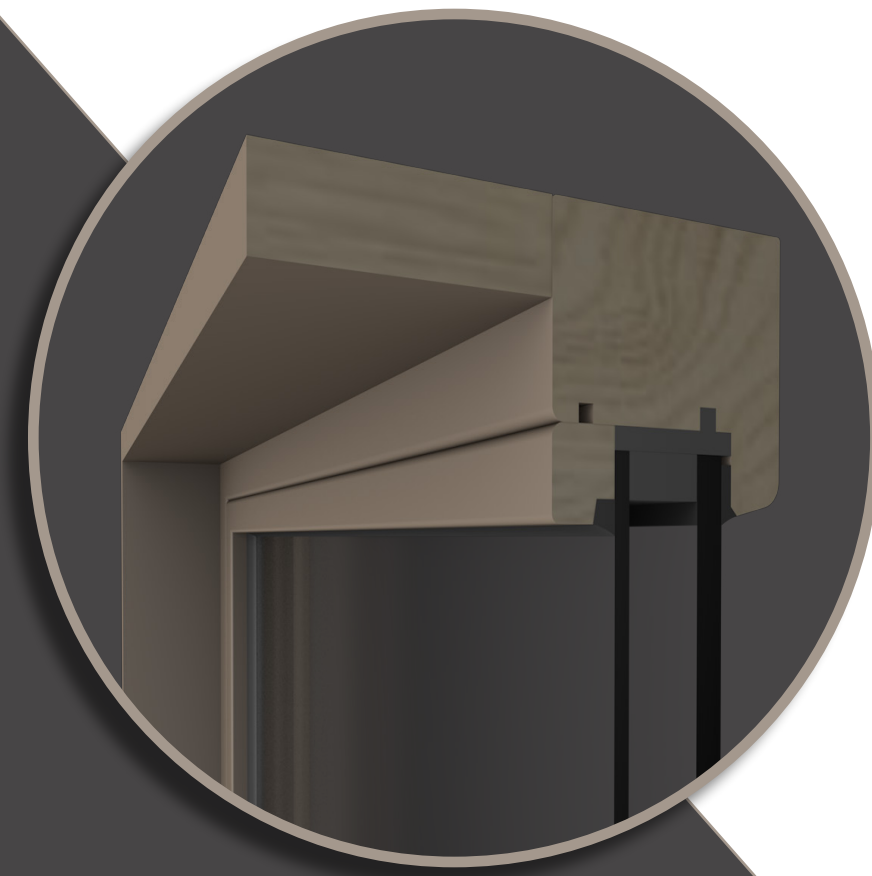
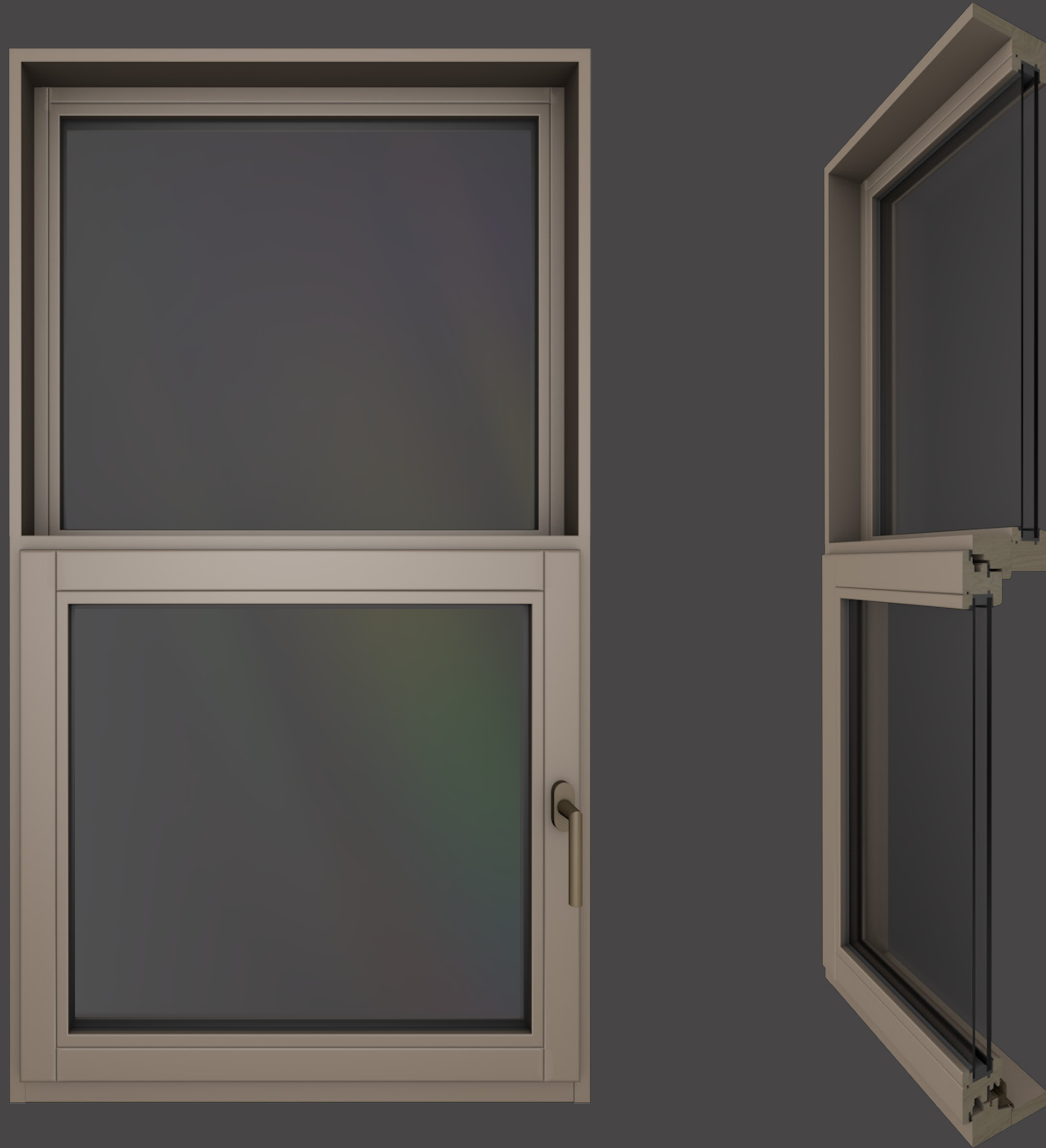
Single Hung Window wood profile



Double Hung Window wood profile

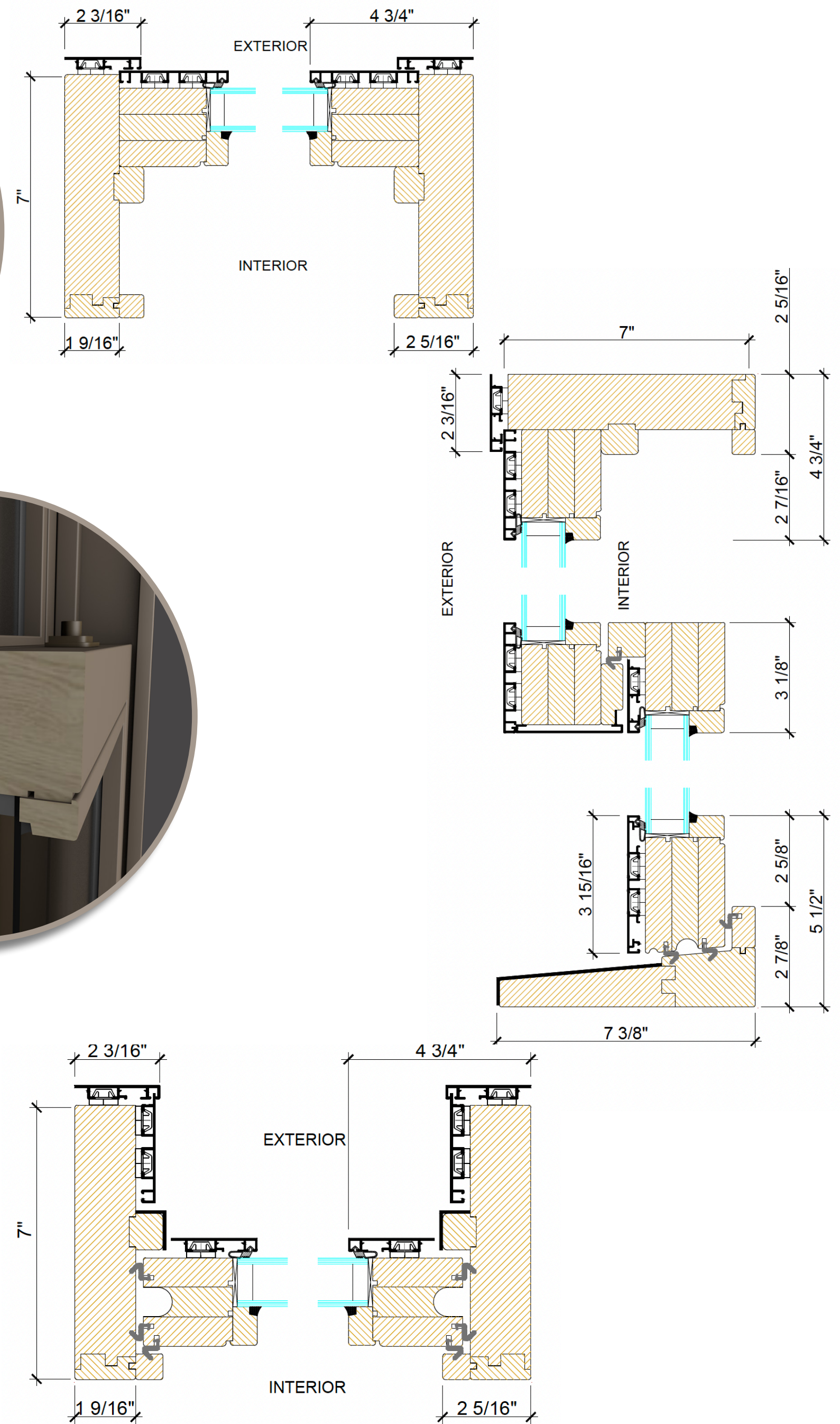
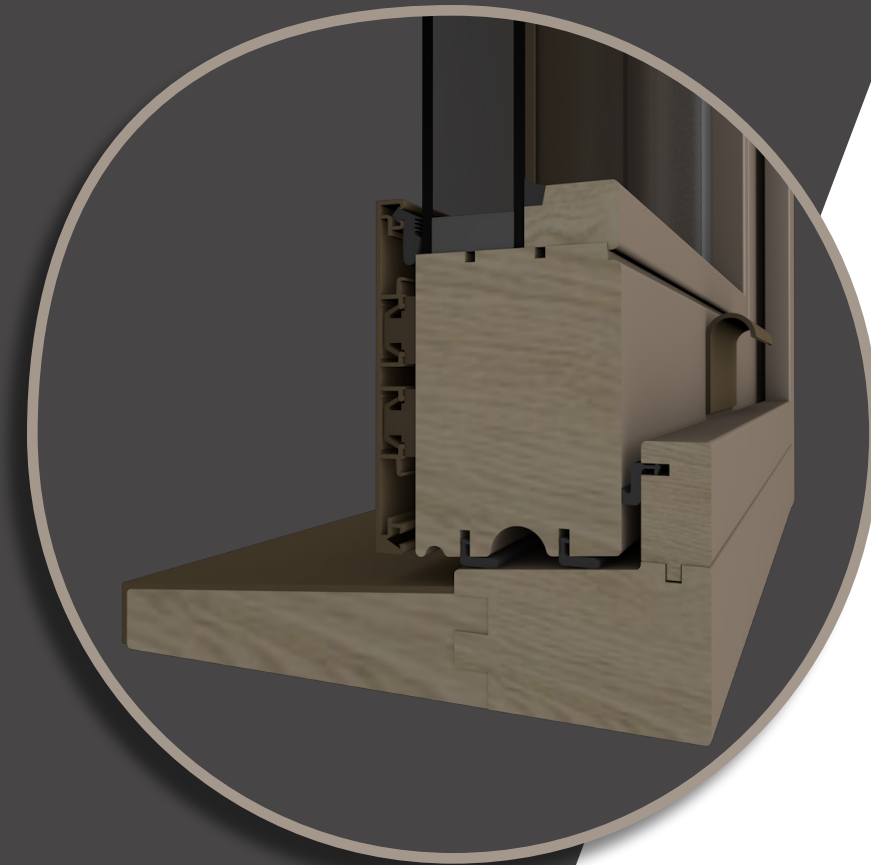
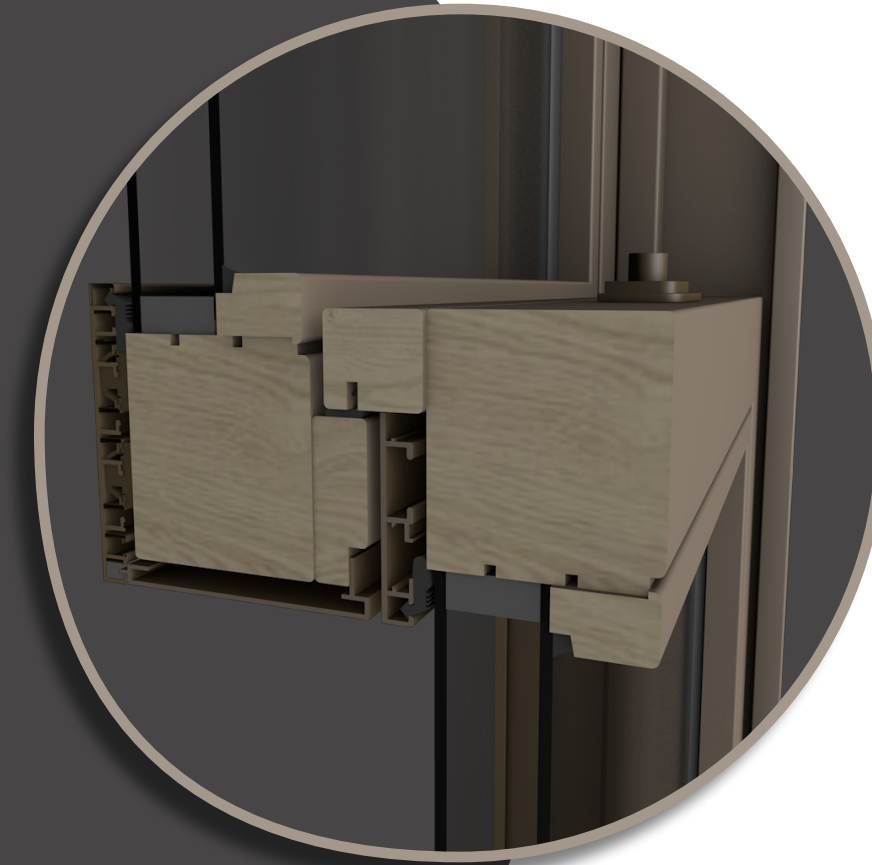
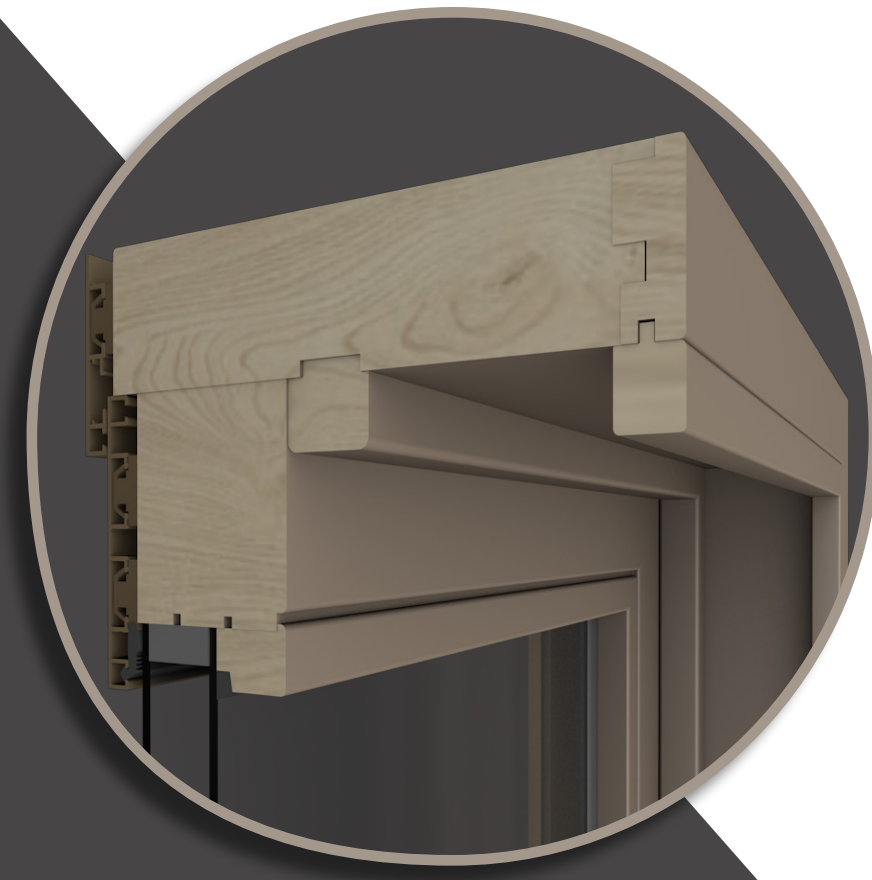


Simulated Double Hung Window wood profile



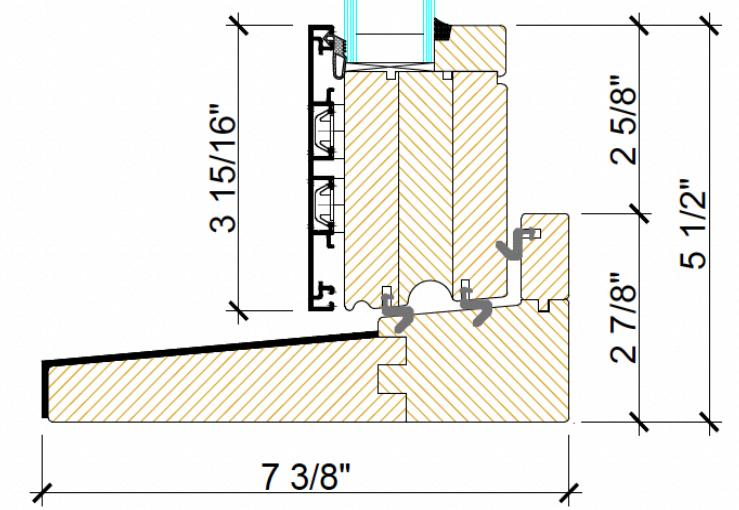
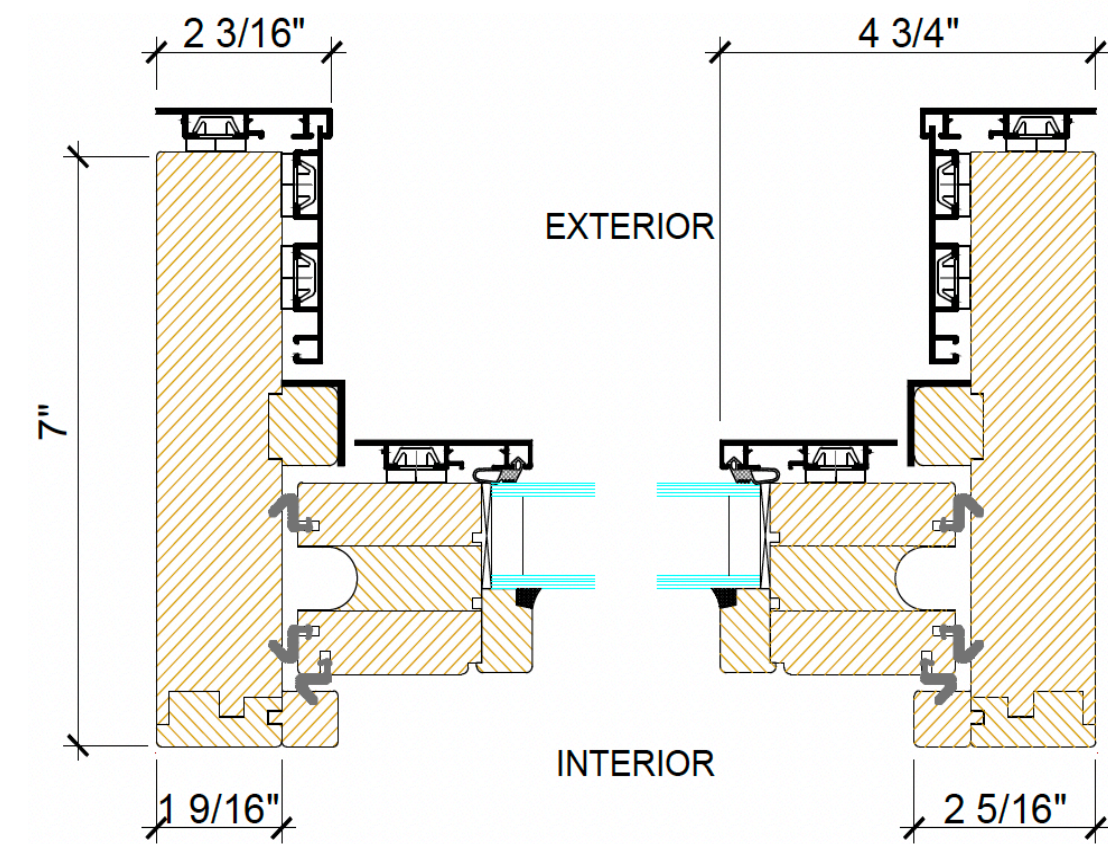
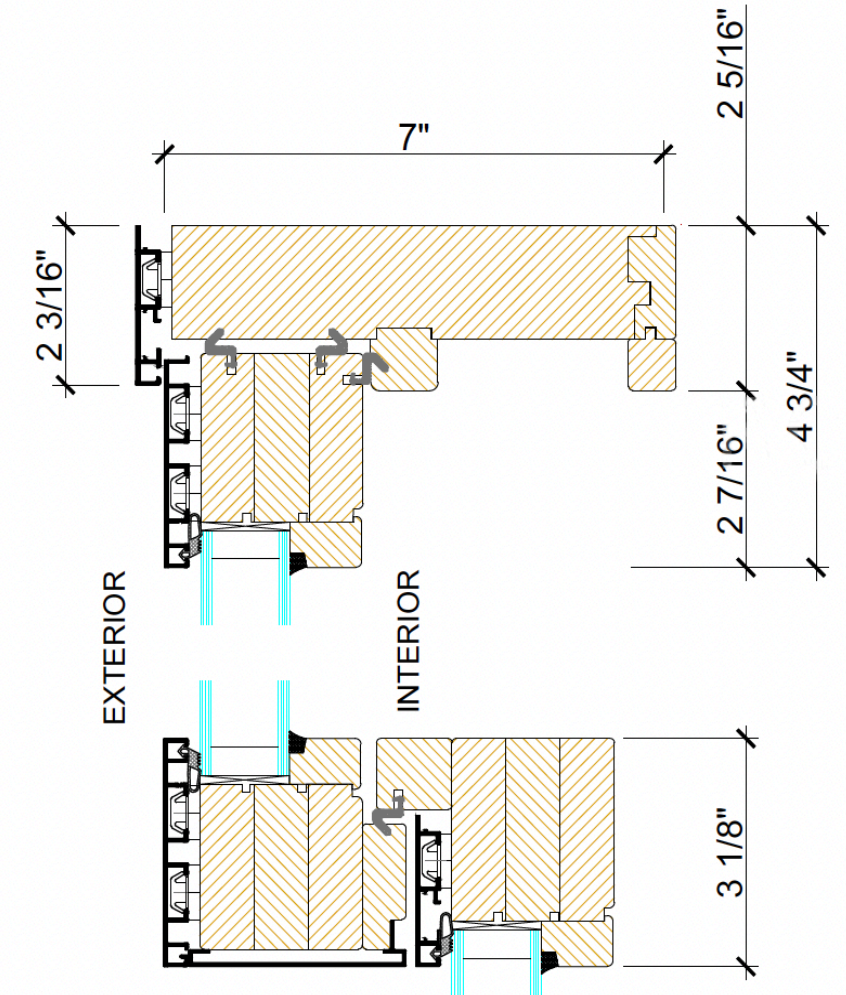
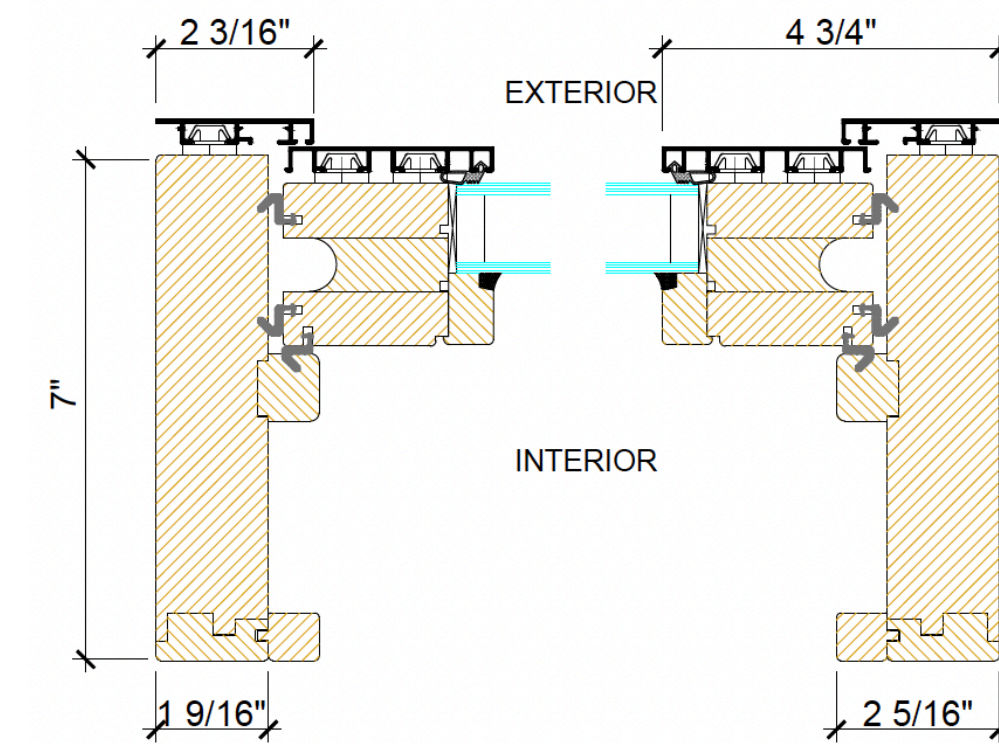
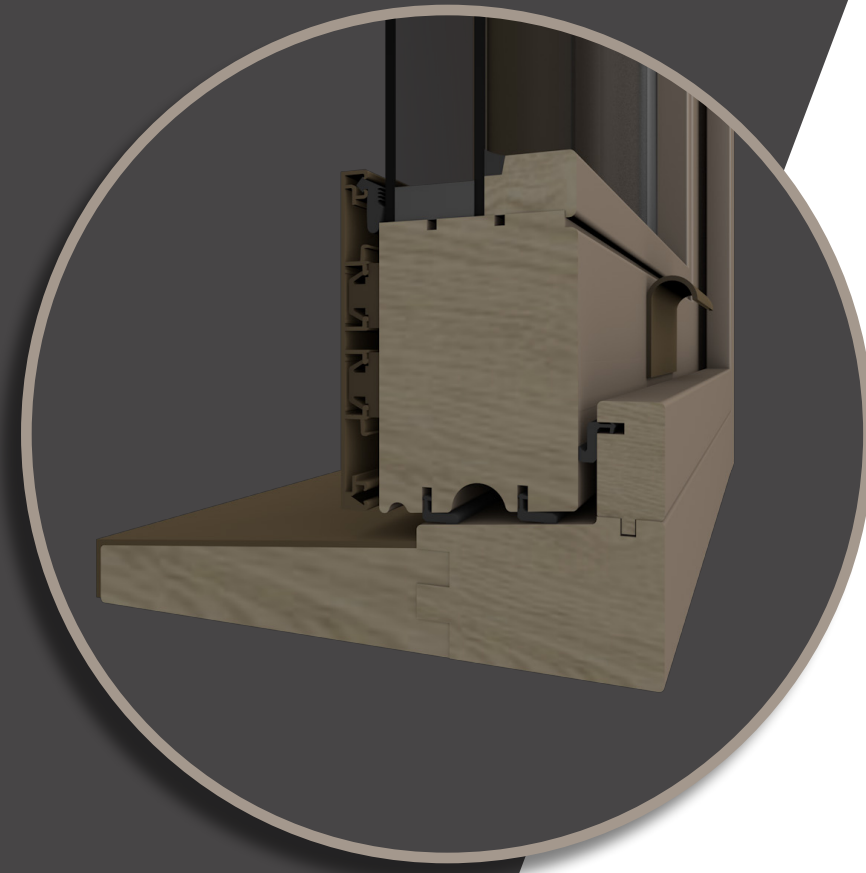
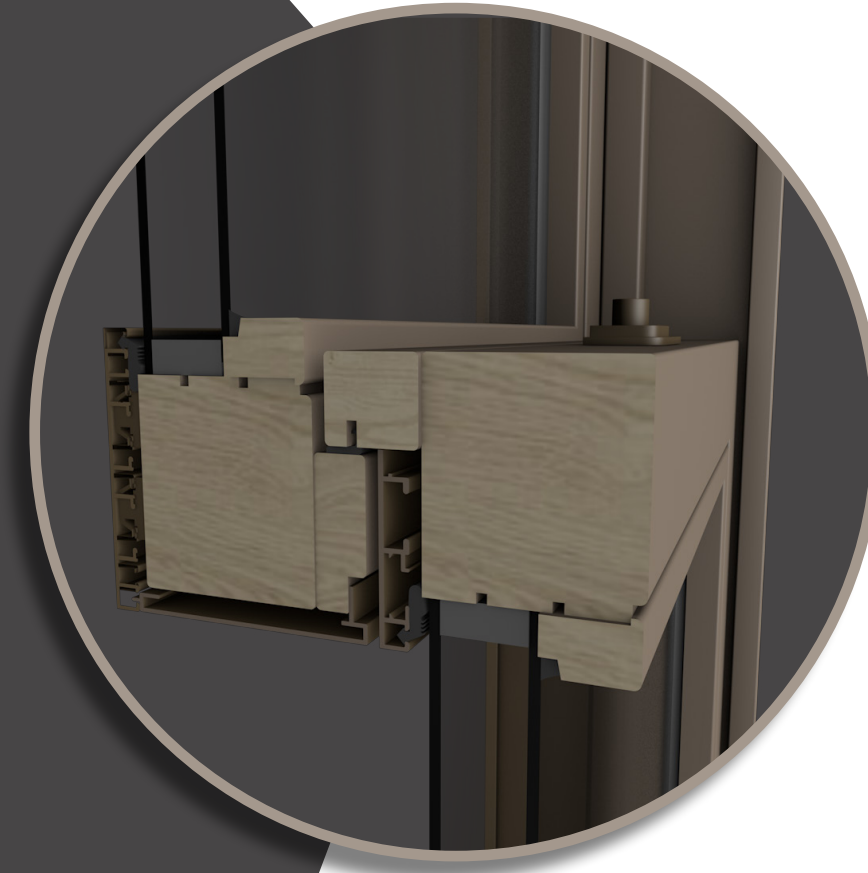
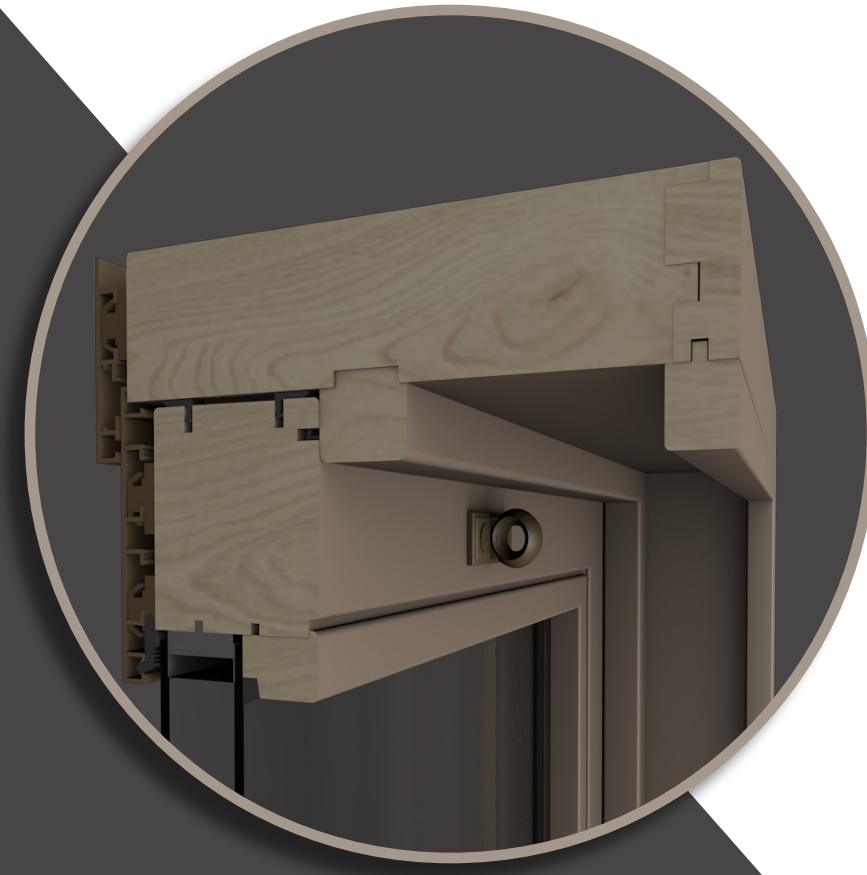
Single Hung Window

wood with aluminum clad profile

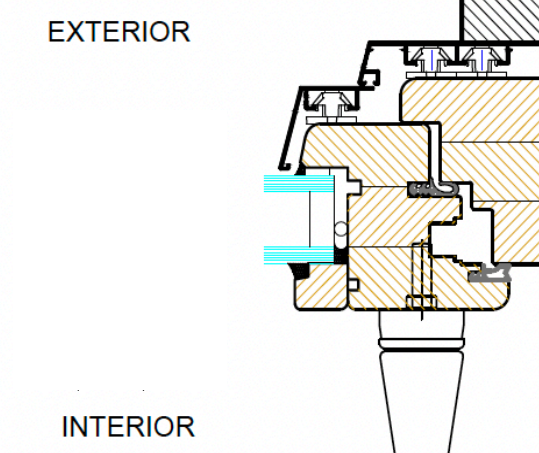
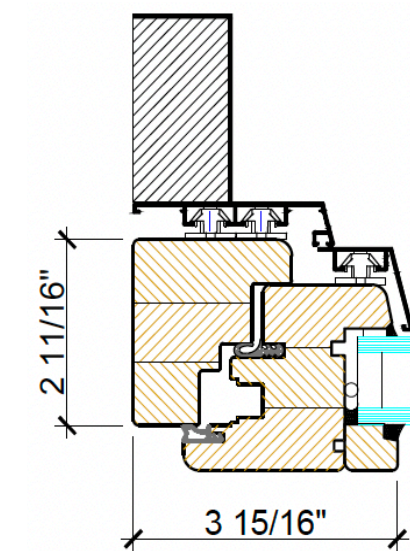
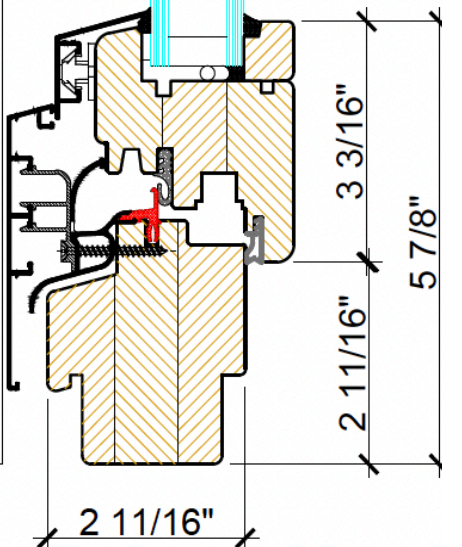
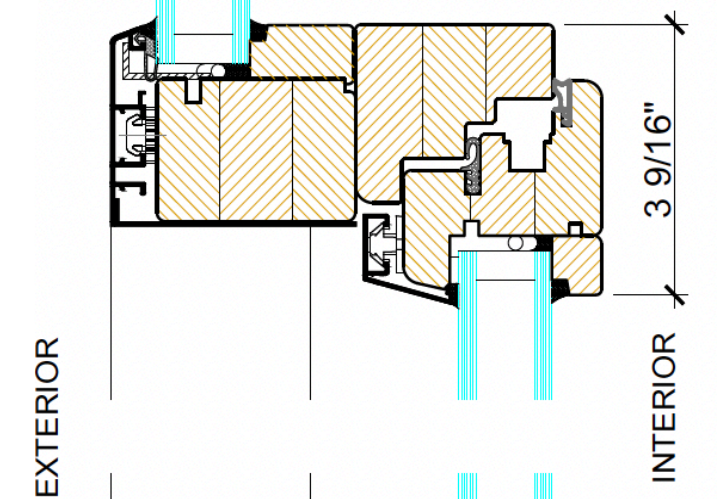
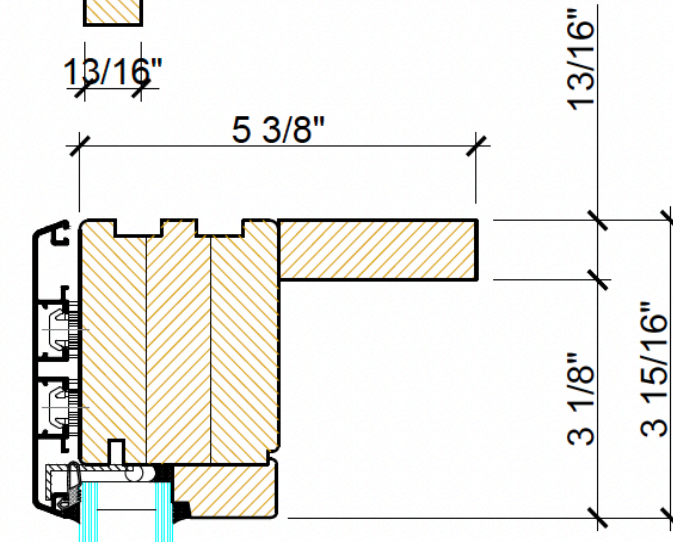
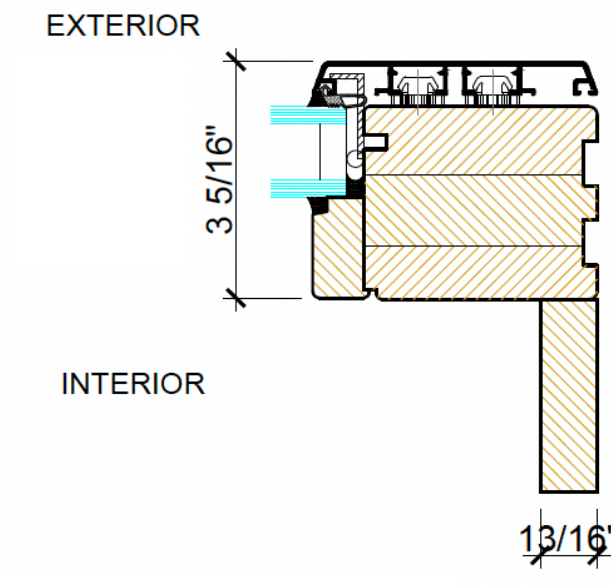
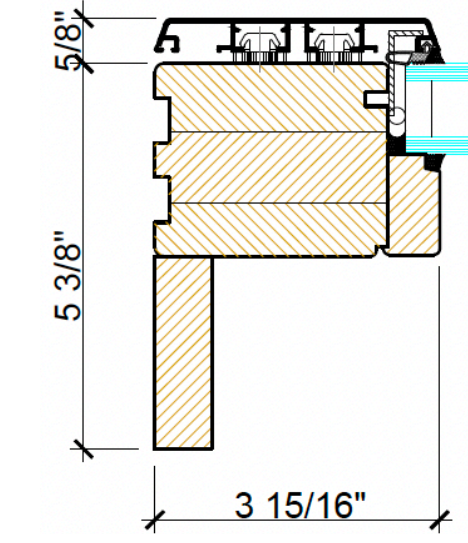
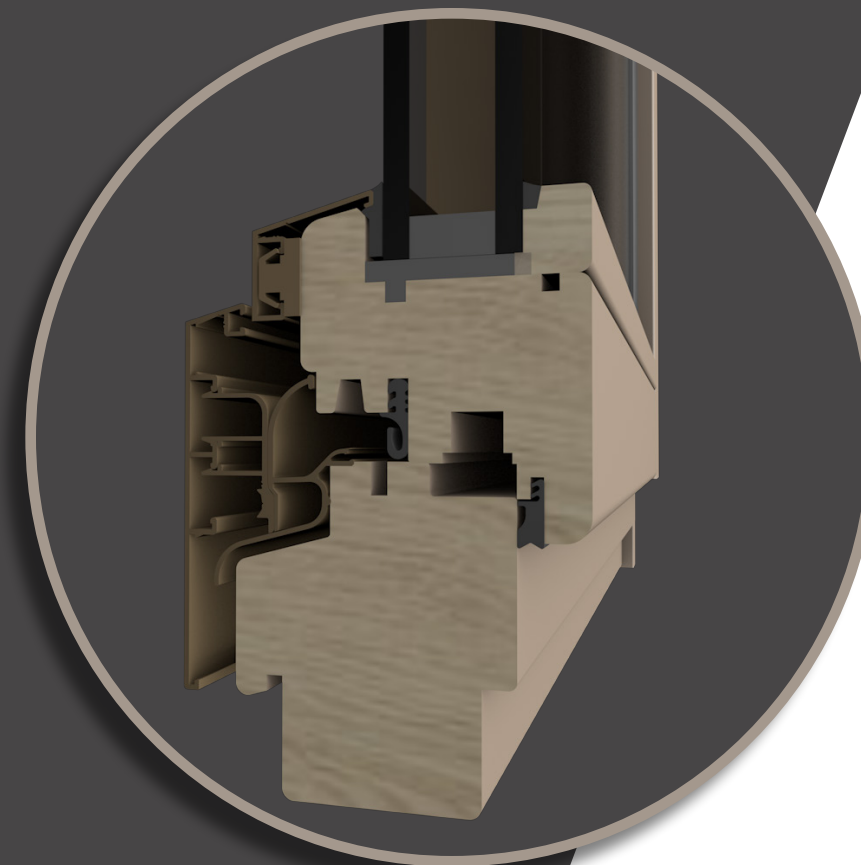
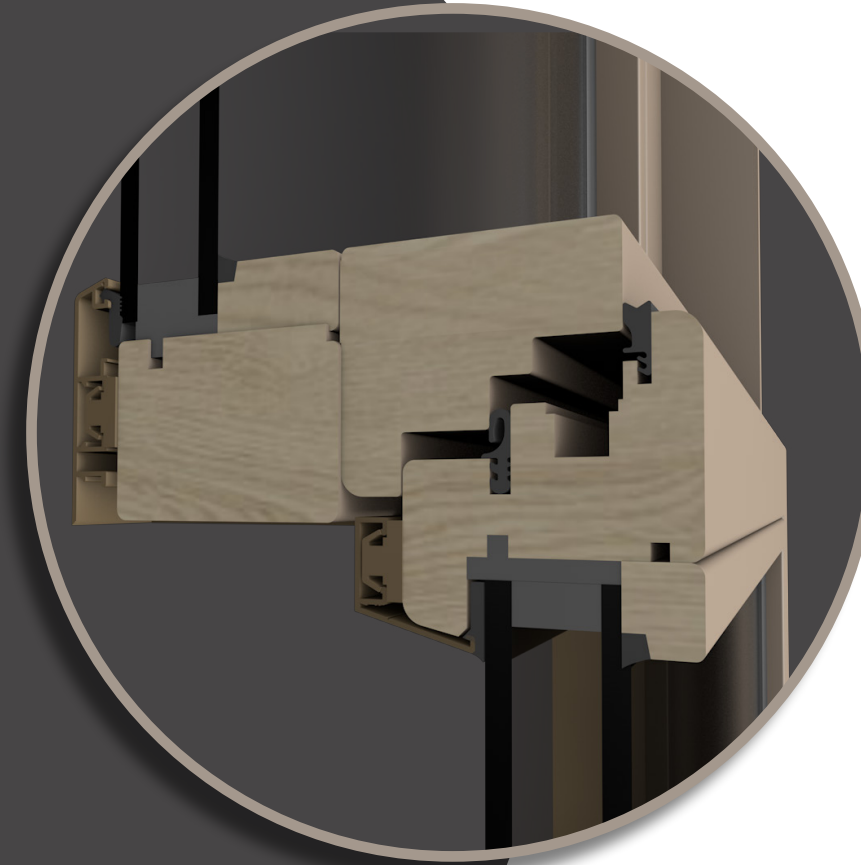
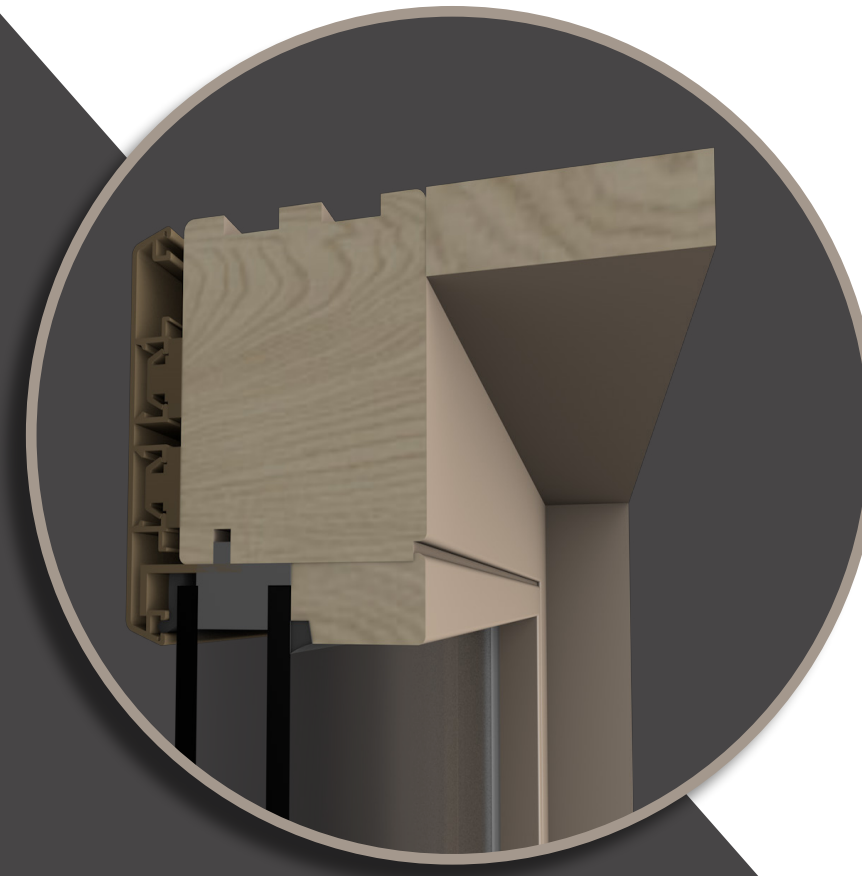
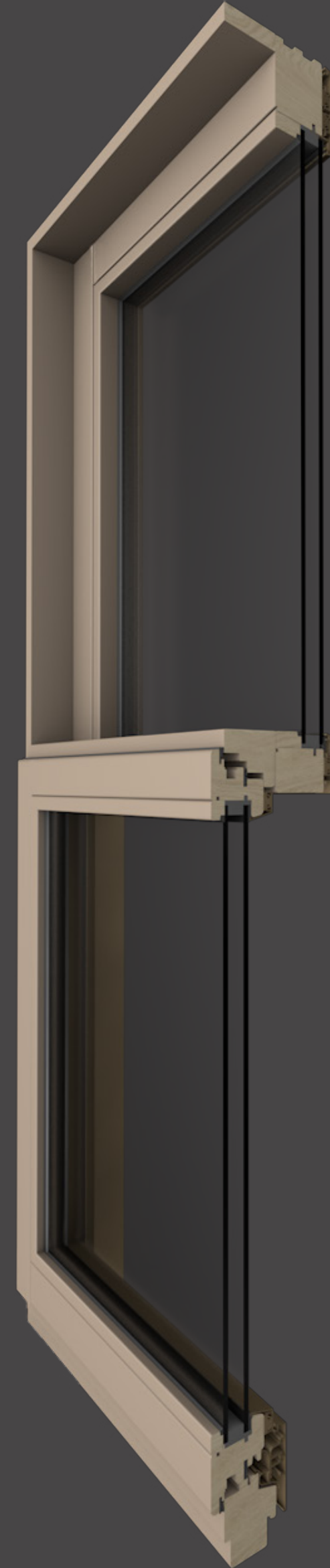


Double Hung Window

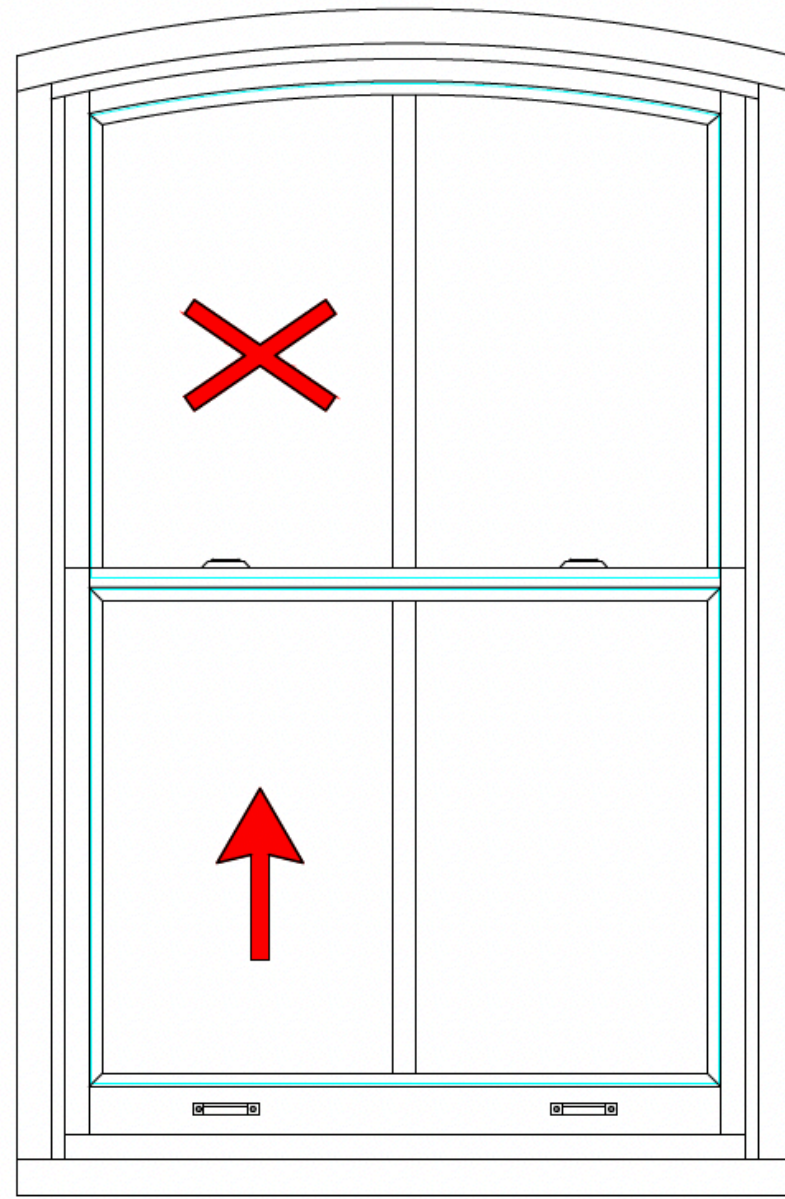
wood with aluminum clad profile



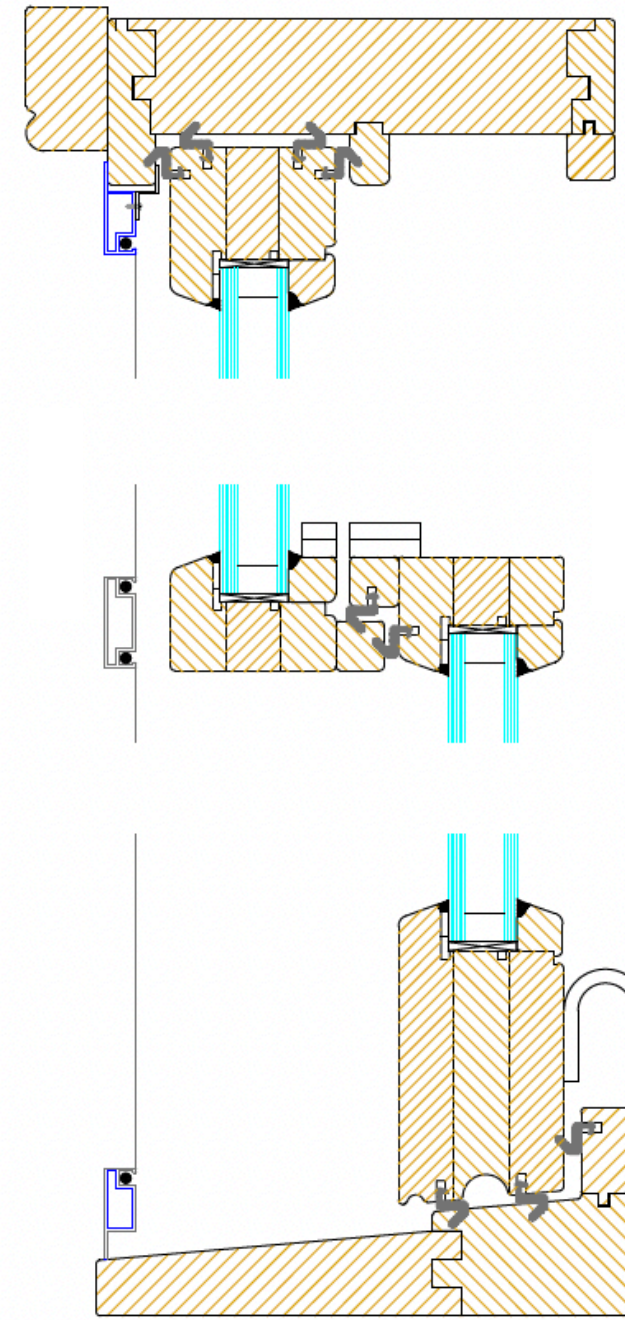
Simulated Double Hung Window wood with aluminum clad profile



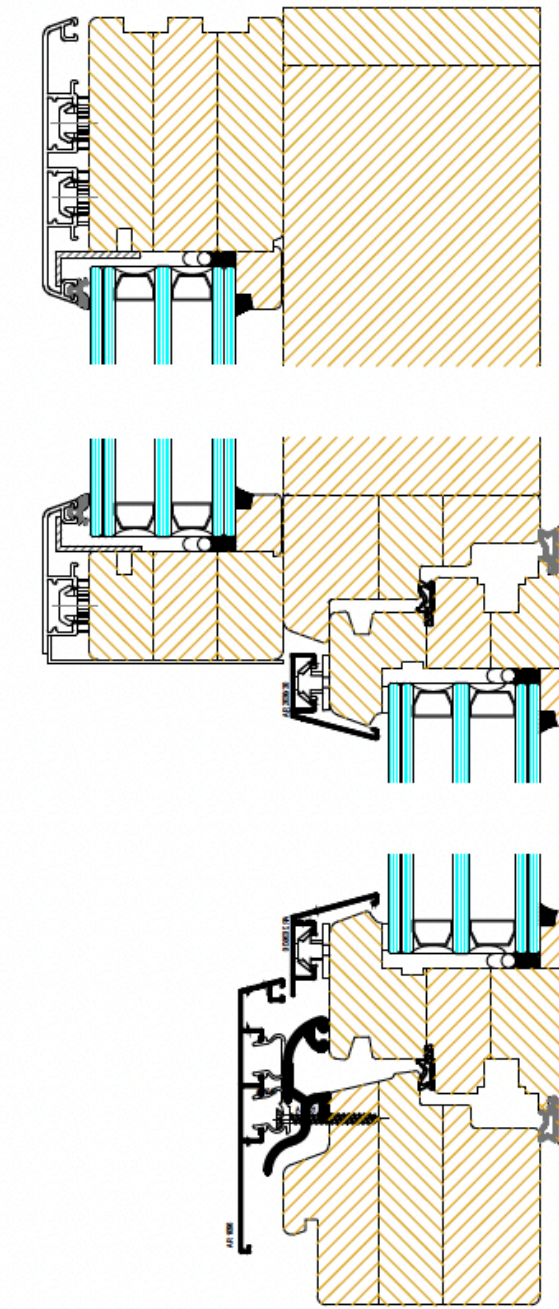
Archtrop single hung and simulated double hung windows



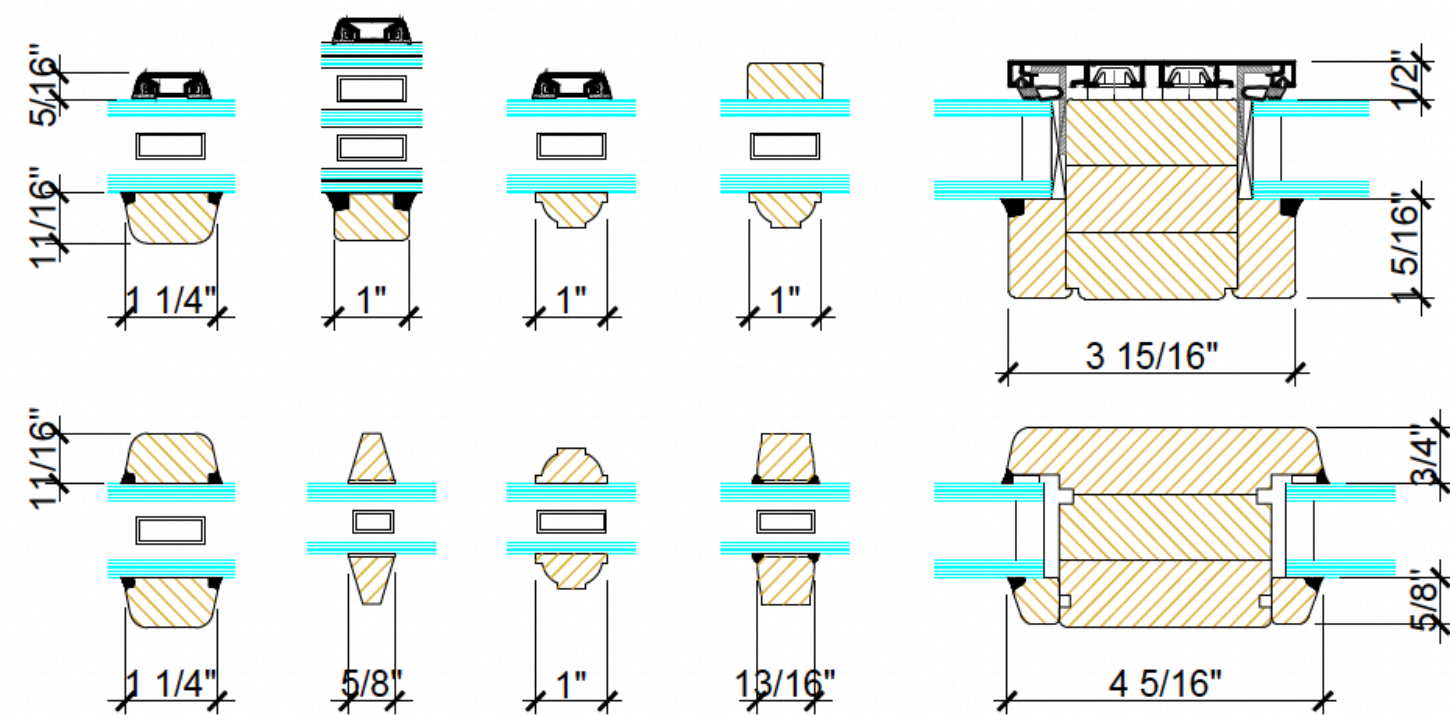
Fixed insect screens



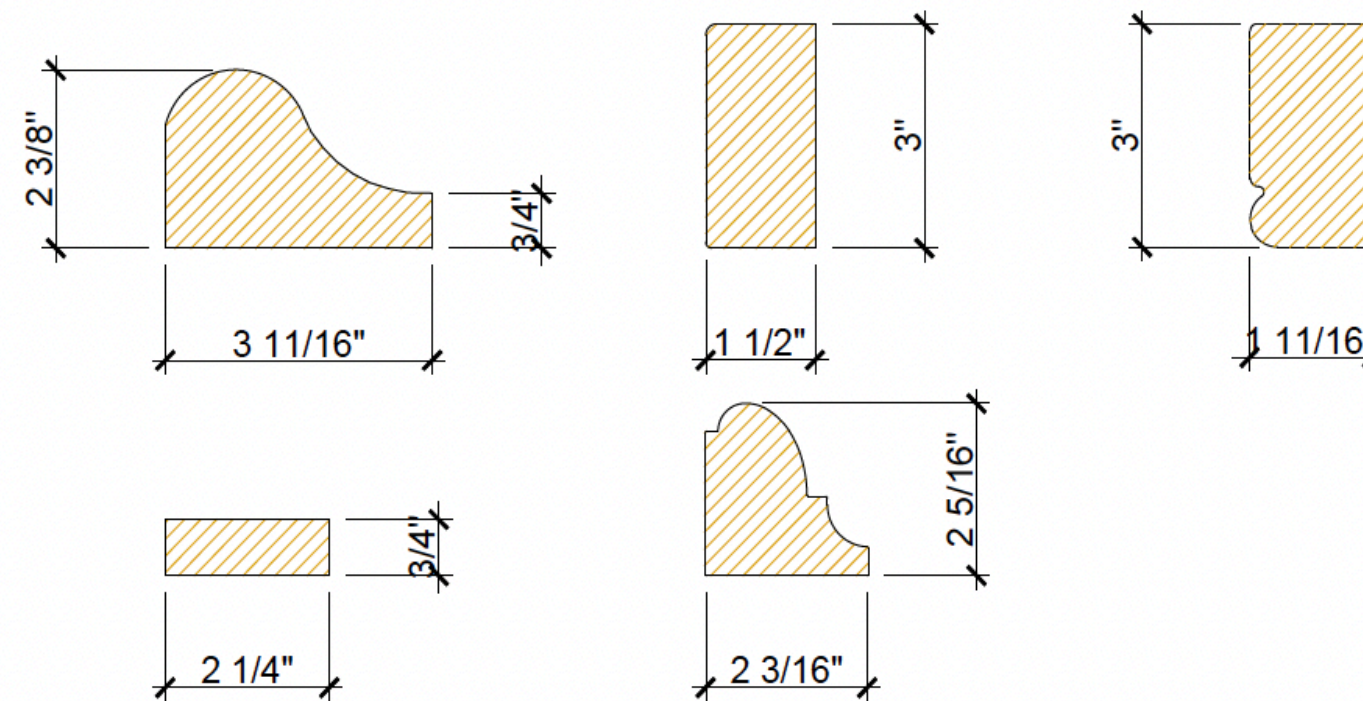
Tripple glazing



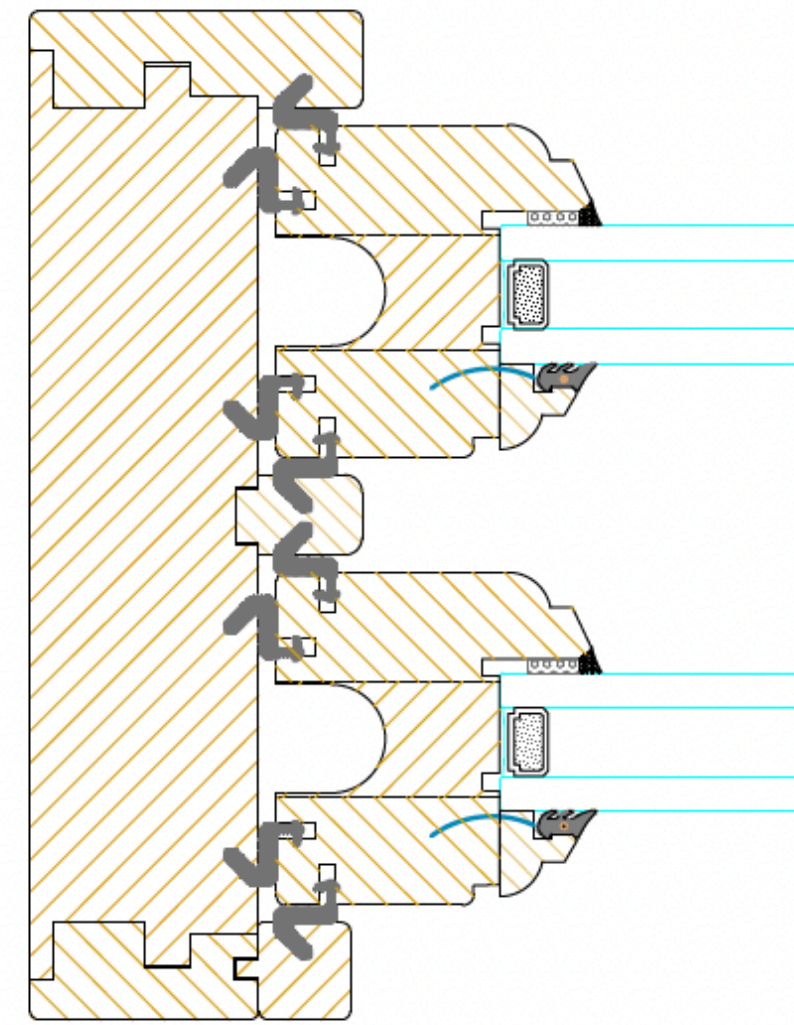
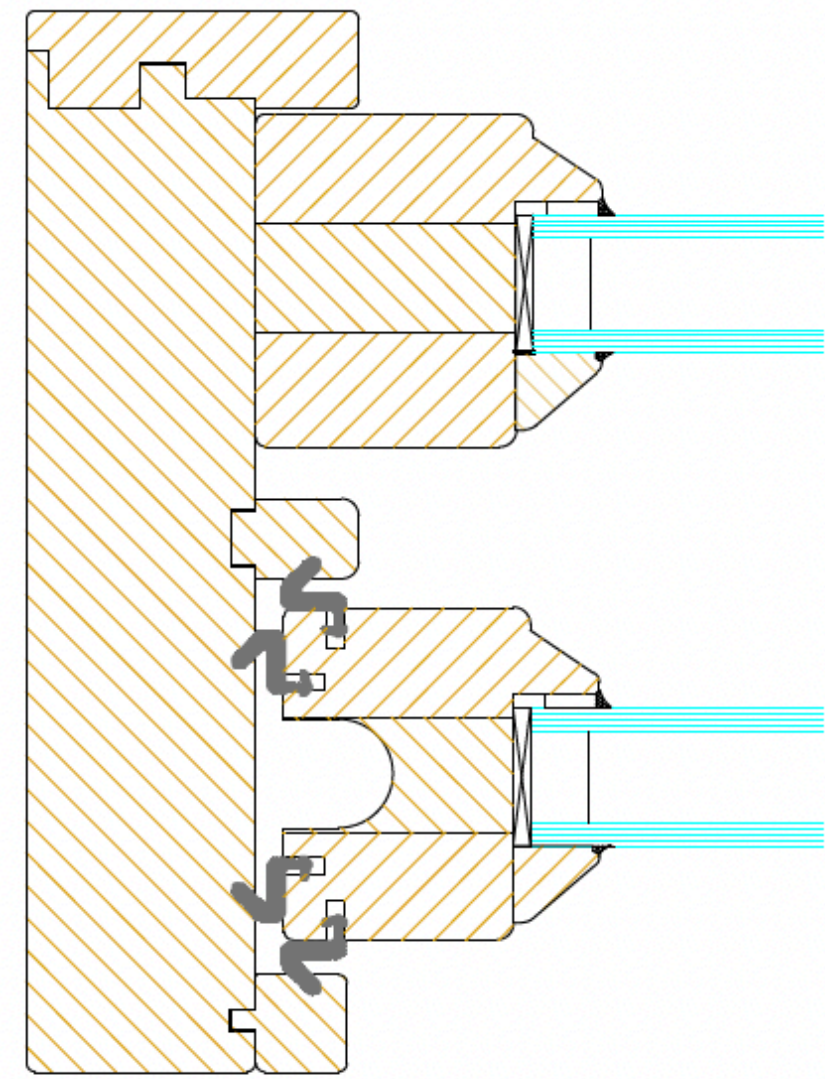
True and simulated divided lites



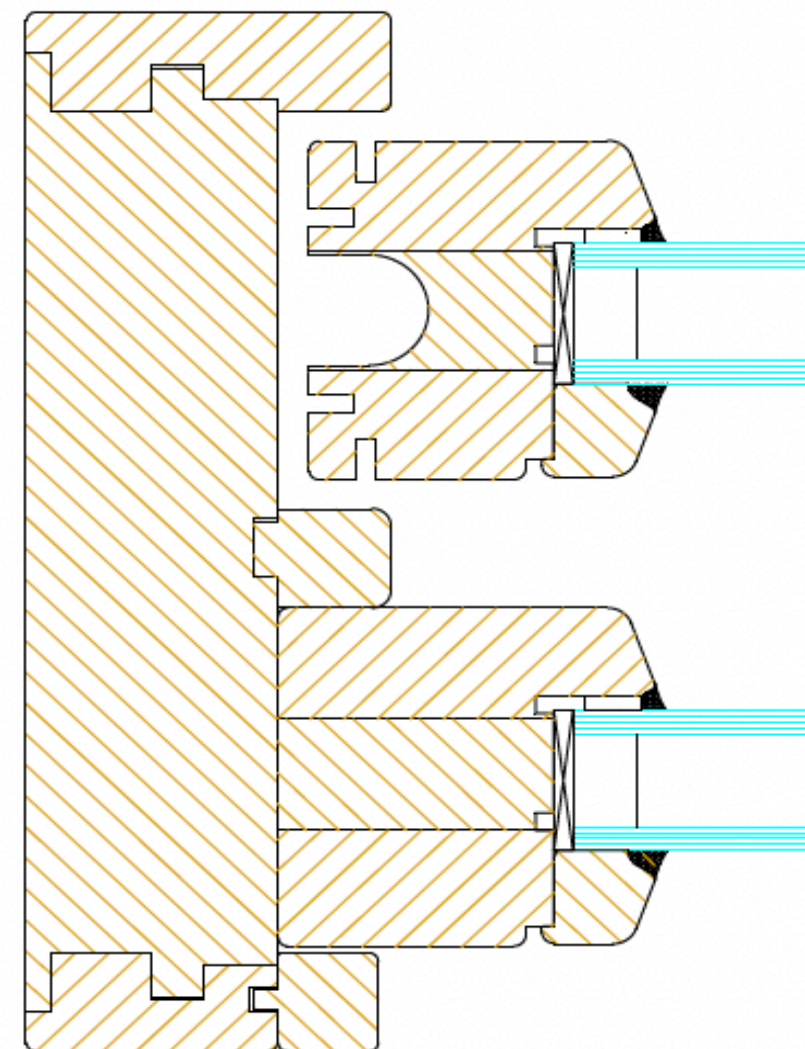
Custom brickmolds



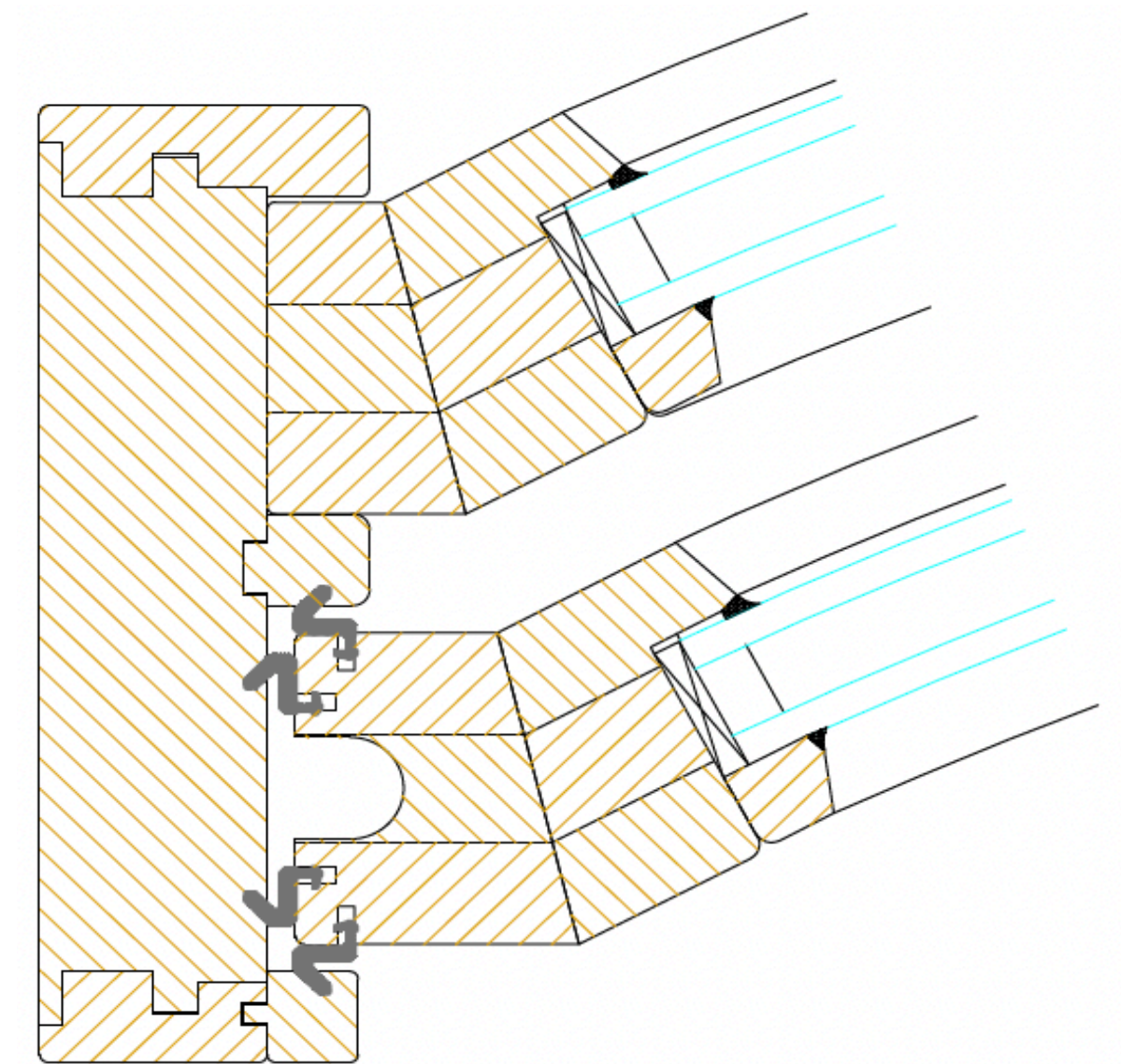
Custom shapes of profiles and glazing beads

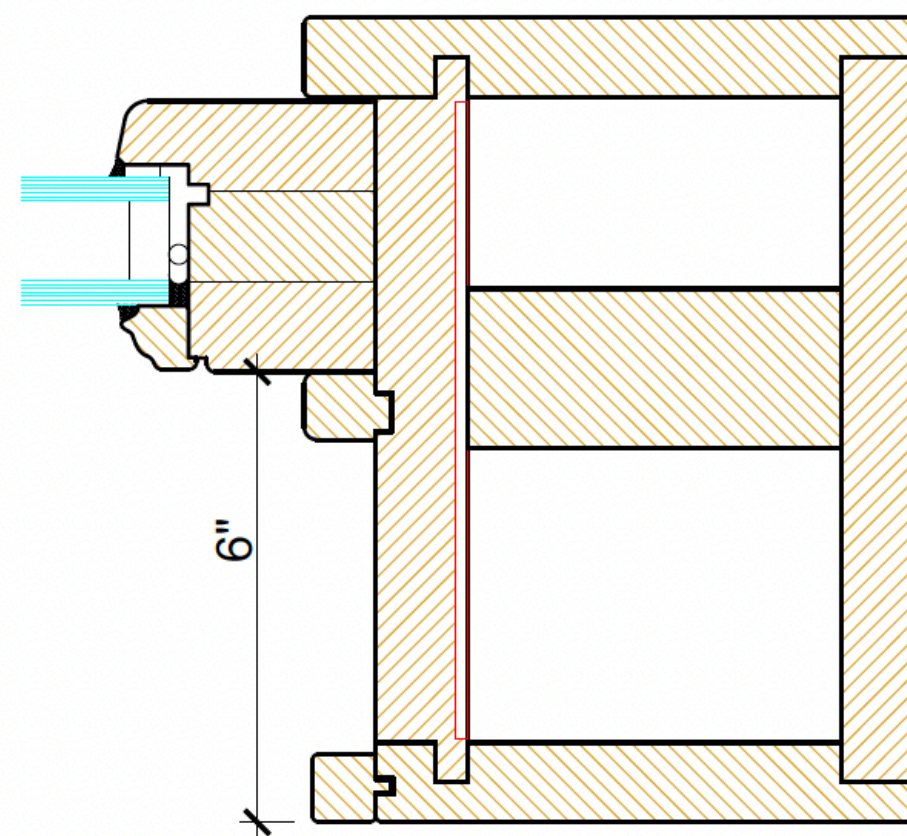
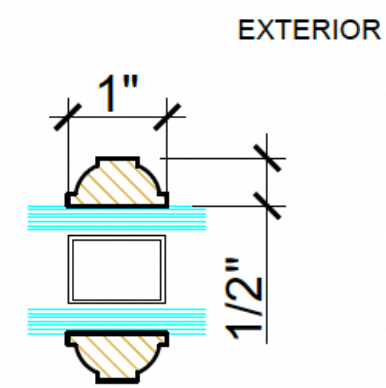
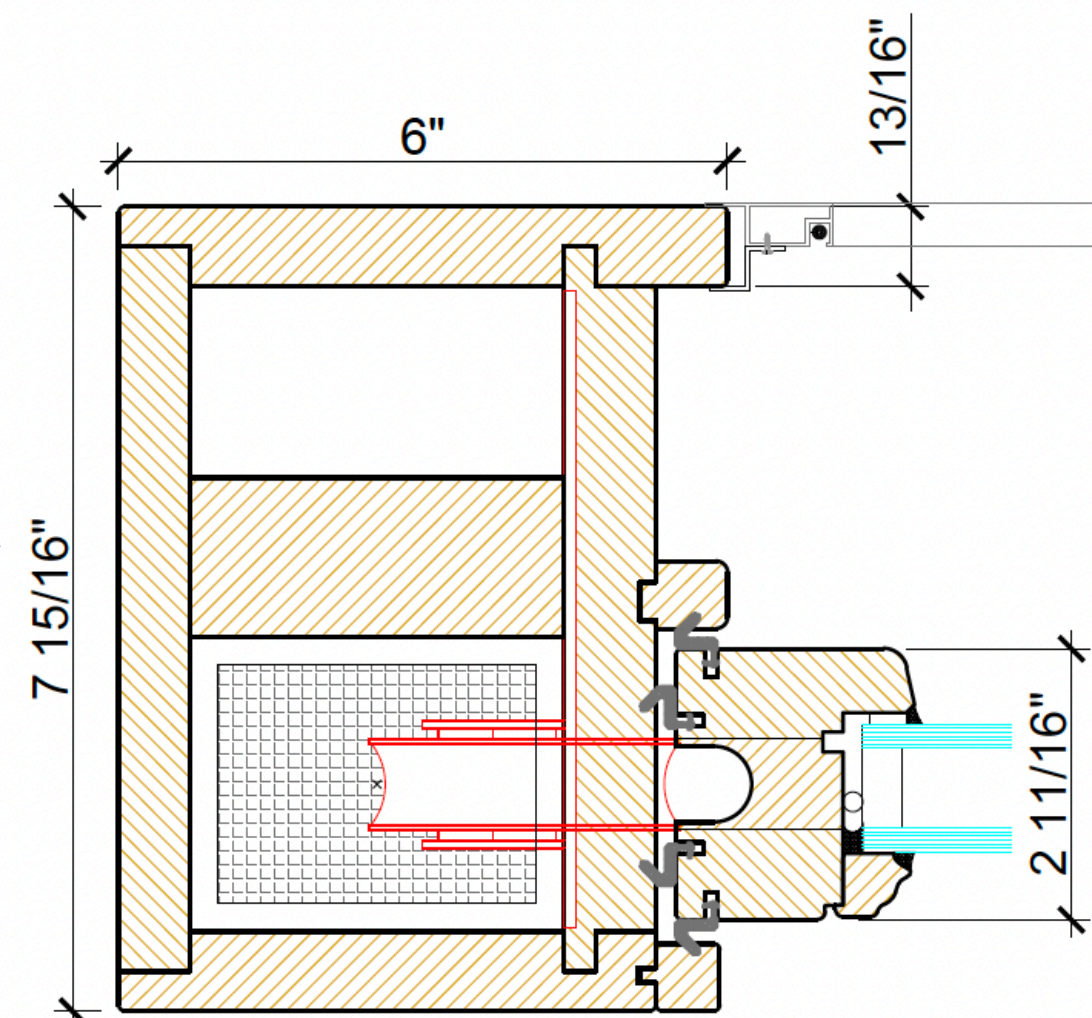
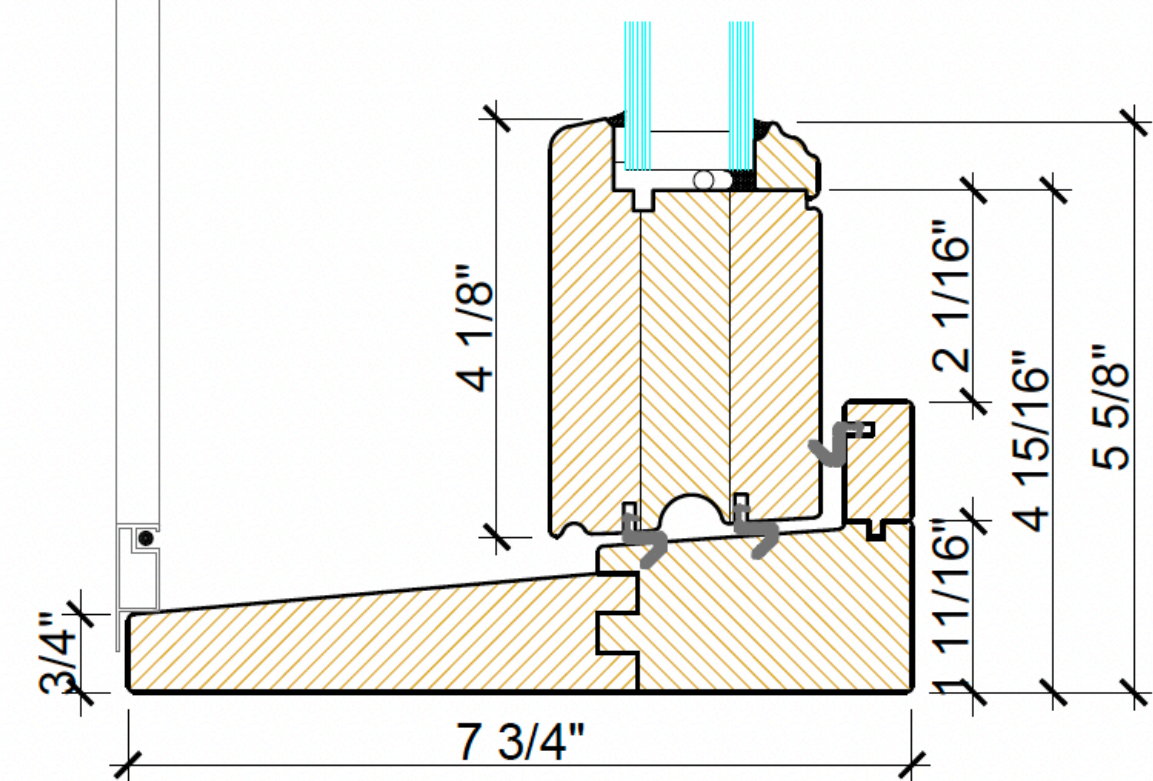
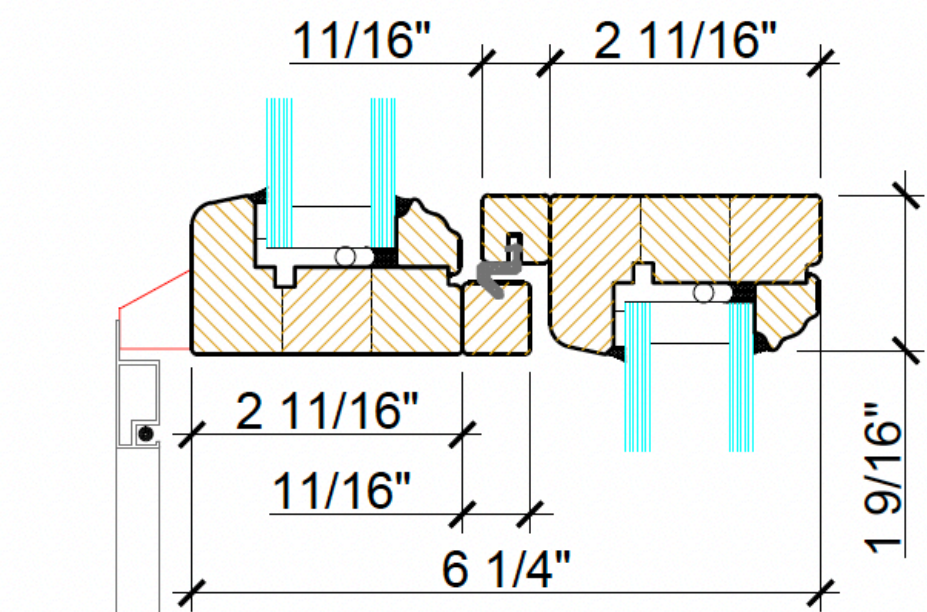
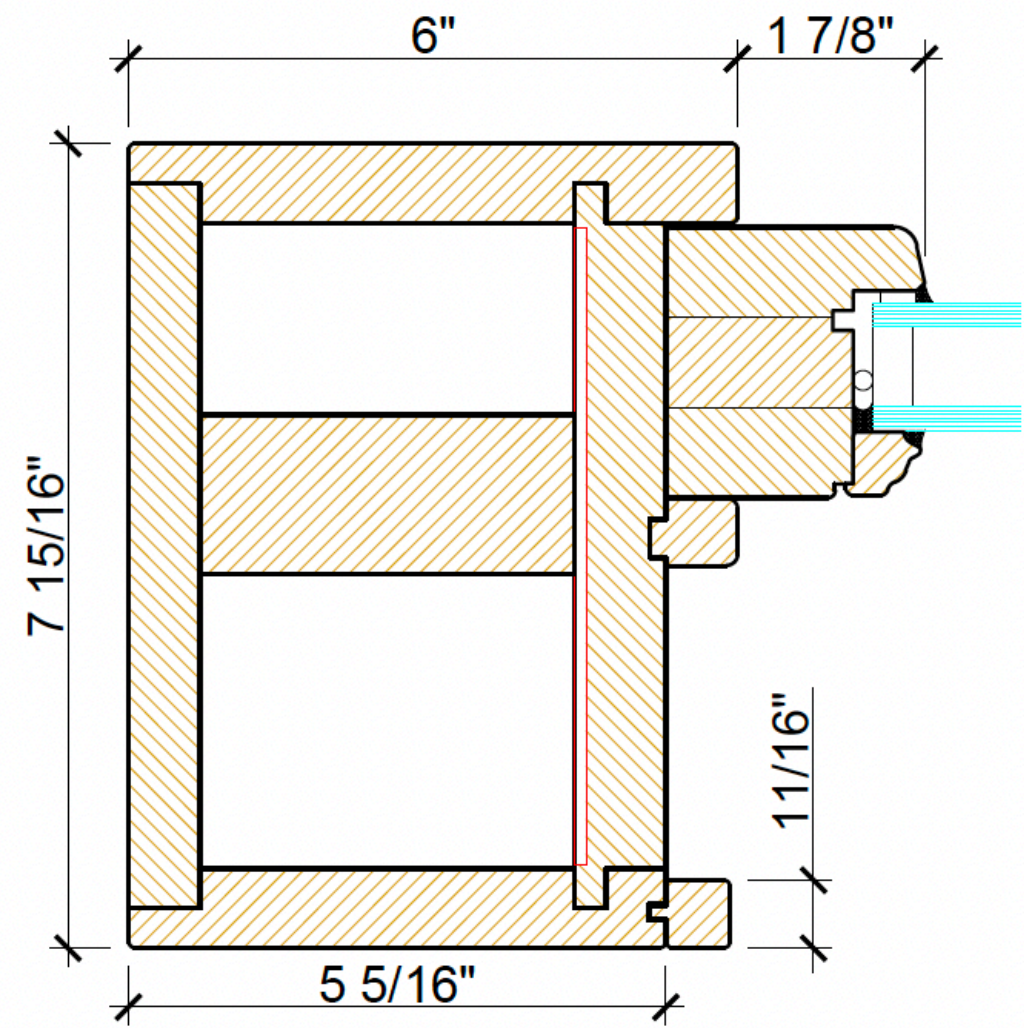
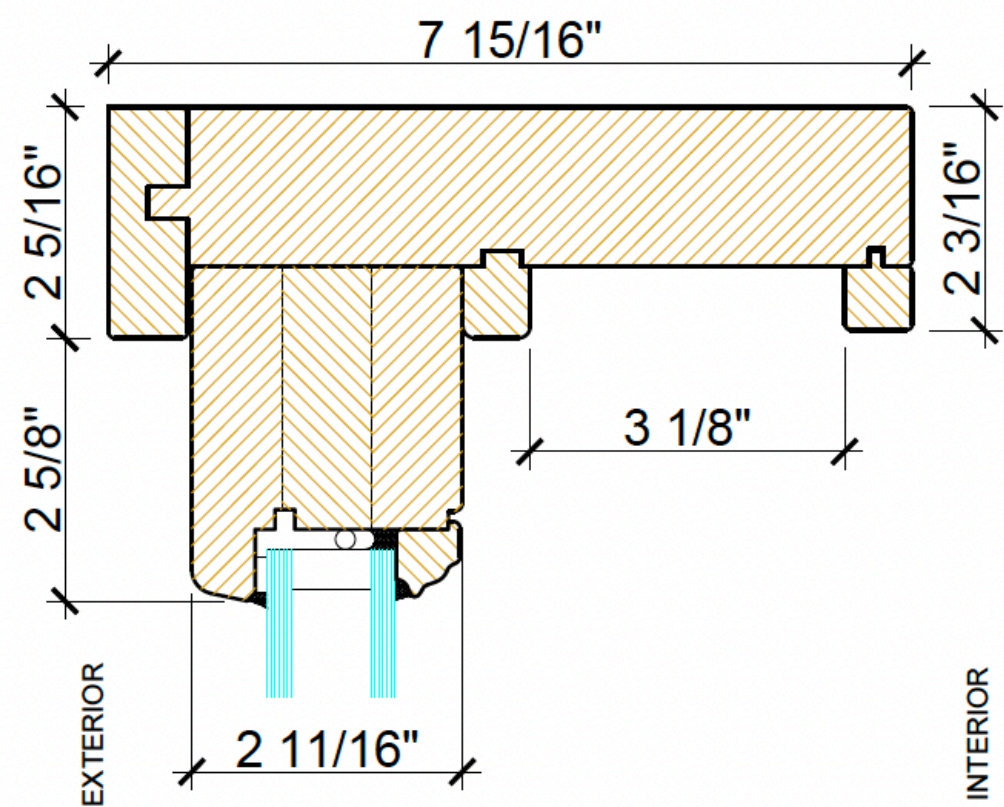


Single hung windows with active upper sash



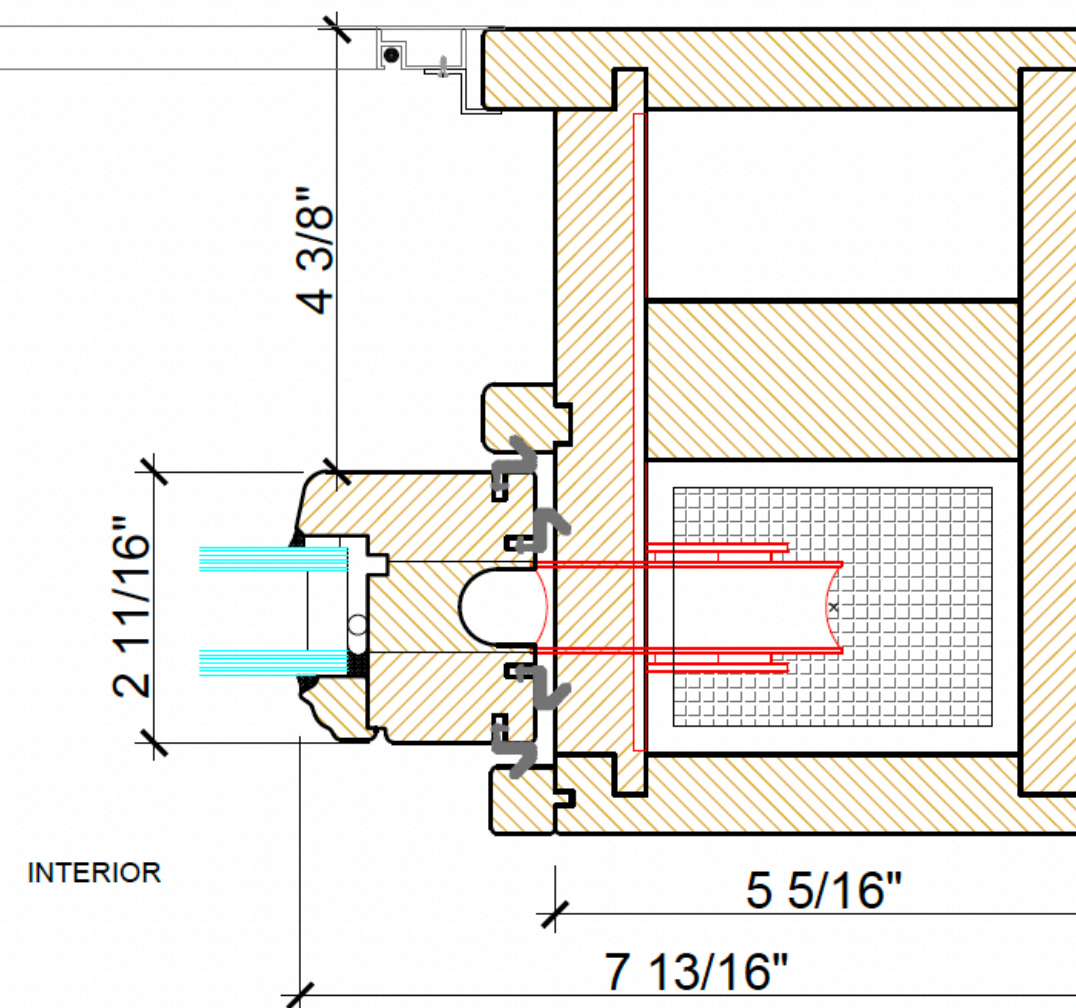
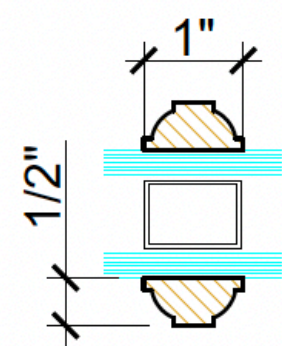
Curved glazing





EXTERIOR

INTERIOR



Open AWD windows are the perfect solution for window projects with traditional properties looking for cost-effective alternative to original timber windows with outstanding modern performance.



Single/double hung window hardware

D Handles. These optional easy-grip handles can be used in place of pole eyes or sash lifts and can be fitted externally on the bottom of the top sash for ease of operation.

Travel Restrictors. Provide enhanced security and safety for your vertical sliding sash windows. Used to restrict the opening of the window to just 100mm. Key operated.

Pole Eyes. Used for opening and closing the top sash. One Pole eye is fitted to windows up to 479mm. wide. Two are fitted on windows 480mm. wide and over.

Sash Locks. Lock both Bottom and top sashes firmly in place when the window is fully closed. Key lockable. One sash Lock is fitted to windows up to 799mm. wide and over.

Tilt Knobs. Allow inward tilting of the sliding sashes for easy and safe cleaning from inside the home. Two Tilt Knobs are fitted as standard.

Security Bar. This specially-designed feature is an integral part of the windows cill which significantly increases security, to help prevent potential intruders using tools or excessive force to try and lever the bottom sliding sash and gain entry.

Toughened Glass. Fitted in both top and bottom sashes as standard.

Sash Lifts. Used for opening and closing the bottom sash. One Sash lift is fitted to windows up to 479mm. wide. Two are fitted on windows 480mm wide and over.

Hardware finishes



Window finishes

